

Back side diaphragm seal Threaded connection type



Features:

- Robust design
- Diaphragm is welded to the body to ensure separation of the filling fluid from the process medium.
- All SS construction

Applications:

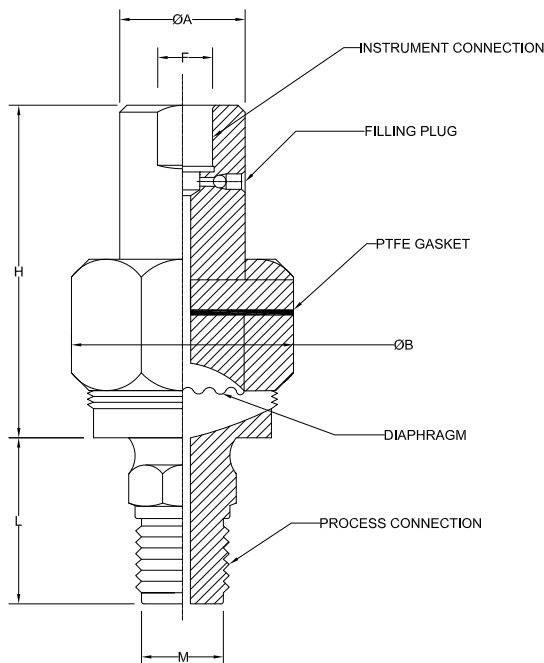
- Used to isolate sensing element from corrosive & viscous process media.
- Especially used in applications where regular cleaning is required for example Grouting, Paint etc.

Standard Parameters

Seal type & Range	: T20 = 0 to 6 kg/cm ² to 0 to 250 kg/cm ²
Process temperature	: - 45 °C to 150 °C or as per fill fluid
Instrument connection	: 1/4" BSP[F]
Process connection	: 1/2" BSP[M]
Fill fluid	: Silicon Oil - DC 200
Mounting	: Direct (without capillary)

Materials of Construction

Diaphragm	: AISI 316L SS
Top chamber	: AISI 304 SS
Bottom chamber	: AISI 316 SS
Sealing gasket	: PTF



Dimensional drawing

Type T20

H	L	F	ØA	ØB	M	Approx. Weight in grams
70	38	1/4" BSP[F]	26	45	1/2" BSP[M]	650

Note: ● Drawings are not to scale ● All dimensions are in mm

Ordering Codes

1. Type	T20	8. Protection on wetted parts	PC
T20 0 to 6 kg/cm ² & 0 to 250 kg/cm ²		PL PTFE Lining on Bottom Chamber - 2 mm THICK (Max. Up to 150 °C) *	
2. Instrument Connection*	15BF	PT PTFE Protection for Diaphragm (Max. Up to 150 °C) (Suitable for Pressure Ranges only)	
06BF 1/4" BSP[F]		PC PTFE Coating on Diaphragm (Max. Up to 315 °C)	
10BF 3/8" BSP [F]		*With bore diameter 10 mm minimum & for connection size 1/2" & above only.	
15BF 1/2" BSP [F](Standard)		9. Filling fluid	S1
15NF 1/2" NPT [F]		S1 Silicon DC 200 [-40 to 205°C]	
06NF 1/4" NPT [F]		S2 Silicon DC 704 [10 to 337°C]	
*(Select this option when dry seal is required)		S3 Silicon DC 710 [7 to 371°C]	
3. Hexagonal Nut	S6	FG Food Grade Oil [-20 to 140°C]	
S4 AISI 304 SS (Standard)		10. Remote Mounting*	3Mtr
S6 AISI 316 SS		Specify in Meters	
S6L AISI 316L SS		*with capillary of max up to 6 Meters	
4. Diaphragm	S6L	11. Capillary	S4
S6L AISI 316L SS (Standard)		S4 AISI 304 SS	
MO MONEL		S6 AISI 316 SS	
HC Hastelloy 'C'		12. Capillary covered with armour*	S4
5. Sealing Gasket	TF	S4 AISI 304 SS	
TF PTFE (Standard)		S6 AISI 316 SS	
6. Bottom Chamber	S6	PV PVC (Ambient Temp. Max. 60°C)	
S4 AISI 304 SS		*Applicable with capillary option if applied	
S6 AISI 316 SS (Standard)		13. Other Options	MT
S6L AISI 316L SS		HL Helium leak test	
HC Hastelloy 'C'		WI Dry Seal Only Without Instrument	
7. Process Connection	15B	MT Material Test Certificates*	
M20 M20 x 1.5[M]		*Material test certificates will be provided for wetted parts only with chemical composition testing. For others, please consult factory.	
06N 1/4" NPT[M]			
15N 1/2" NPT[M]			
20N 3/4" NPT[M]			
10B 3/8" BSP [M]			
15B 1/2" BSP [M] (Standard)			
06B 1/4" BSP[M]			

Ordering example: BD-T20-15BF-S6-S6L-TF-S6-15B-PC-S1-3Mtr-S4-S4-MT

Compatible Model: IP, SP

Note:

1. It is recommended that the MOC of the diaphragm be equivalent or superior than the MOC of the bottom chamber.
2. Specifications and dimensions given in this product catalogue represents the state of engineering at the time of printing. Modifications may take place and materials specified may be replaced by others without prior notice.