

Diaphragm seal Direct coupled type



Features:

- Robust two-piece design
- Diaphragm is welded to the body to ensure separation of the filling fluid from the process medium.
- All SS construction

Applications:

- Diaphragm seals are designed to isolate the sensing element of pressure gauges and pressure switches from process fluids that they may be corrosive, viscous, sedimentous and / or with a high temperature.

Standard Parameters

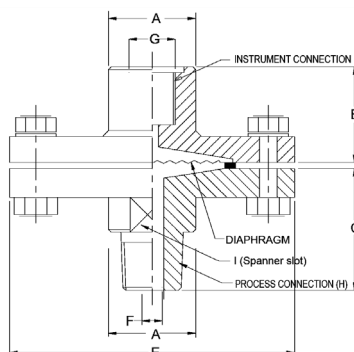
Seal type & Range	: T06 = -1 to 0 kg/cm ² & 0 to 70 kg/cm ² : T07 = 100 kg/cm ² to 400 kg/cm ²
Process temperature	: - 40 °C to 200 °C or as per fill fluid
Instrument connection	: 1/2" BSP[F]
Process connection	: 1/2" BSP[M]
Fill fluid	: Silicon Oil - DC 200
Mounting	: Direct (without capillary)

Materials of Construction

Diaphragm	: AISI 316L SS
Top chamber	: AISI 304 SS
Bottom chamber	: AISI 316 SS
Nuts / bolts	: AISI 304 SS
Sealing gasket	: PTFE

Dimensional drawing

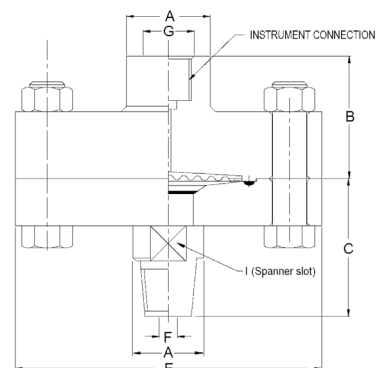
Type T06 (Standard version)



A	~B	~C	E	F	G	H	I	Wt.
30	26	47	98	Ø8	1/2" BSP[F]	1/2" BSP[M]	25	1500

Wt. = Approx. weight in grams

Type T07



A	~B	~C	E	F	G	H	I	Wt.
30	44	49.5	110	Ø8	1/2" BSP[F]	1/2" BSP[M]	25	3000

Wt. = Approx. weight in grams

Note: ● Drawings are not to scale ● All dimensions are in mm

Ordering Codes

<p>1. Type</p> <p>T06 -1 to 0 kg/cm² & 0 to 70 kg/cm² (Standard) T07 100 kg/cm² to 400 kg/cm²</p> <p>2. Instrument Connection*</p> <p>06BF 1/4" BSP[F] 10BF 3/8" BSP [F] 15BF 1/2" BSP [F](Standard) 15NF 1/2" NPT [F] 06NF 1/4" NPT [F] *(Select this option when dry seal is required)</p> <p>3. Top Chamber</p> <p>S4 AISI 304 SS (Standard) S6 AISI 316 SS S6L AISI 316L SS</p> <p>4. Diaphragm</p> <p>S6L AISI 316L SS (Standard) MO MONEL HC Hastelloy 'C' SL Silver* IN Inconel 600 TI Titanium TN Tantalum *(Range up to 21Kg/cm²)</p> <p>5. Sealing Gasket</p> <p>TF PTFE (Standard) ME Metal</p>	<p>T06</p> <p>15BF</p> <p>S6</p> <p>S6</p> <p>S6</p> <p>TF</p>	<p>6. Bottom chamber</p> <p>S4 AISI 304 SS S6 AISI 316 SS (Standard) S6L AISI 316L SS TT TITANIUM MO MONEL HC Hastelloy 'C' TN Tantalum PV PVC* PD PVDF* PP Polypropylene* *Refer pressure vs temperature table below</p> <p>7. Process Connection</p> <p>06BF 1/4" BSP[F] 10BF 3/8" BSP[F] 15BF 1/2" BSP[F] 20BF 3/4" BSP[F] 06NF 1/4" NPT[F] 15NF 1/2" NPT[F] 20NF 3/4" NPT[F] 06B 1/4" BSP[F] M20 M20 x 1.5[M] 06N 1/4" NPT[M] 15N 1/2" NPT[M] 20N 3/4" NPT[M] 10B 3/8" BSP [M] 15B 1/2" BSP [M]</p> <p>8. Protection on wetted parts</p> <p>PL PTFE Lining on Bottom Chamber - 2 mm THICK (Max. Up to 150 °C) * PT PTFE Protection for Diaphragm (Max. Up to 150 °C) (Suitable for Pressure Ranges only) PC PTFE Coating on Diaphragm (Max. Up to 315 °C) *With bore diameter 10 mm minimum & for connection size 1/2" & above only.</p>	<p>S6</p> <p>15B</p> <p>PT</p>	<p>9. Filling fluid</p> <p>S1 Silicon DC 200 [-40 to 205°C] S2 Silicon DC 704 [10 to 337°C] S3 Silicon DC 710 [7 to 371°C] FG Food Grade Oil [-20 to 140°C]</p> <p>10. Remote Mounting* 3Mtr Specify in Meters *with capillary of max up to 6 Meters</p> <p>11. Capillary S4</p> <p>S4 AISI 304 SS S6 AISI 316 SS</p> <p>12. Capillary covered with armour* S4</p> <p>S4 AISI 304 SS S6 AISI 316 SS PV PVC (Ambient Temp. Max. 60°C) *Applicable with capillary option if applied</p> <p>13. Other Options MT</p> <p>HL Helium leak test WI Dry Seal Only Without Instrument Material Test Certificates* MT Material Test Certificates* *Material test certificates will be provided for wetted parts only with chemical composition testing. For others, please consult factory.</p>
---	--	--	---	--

Ordering example: DC-T06-15BF-S6-S6-TF-S6-15B-PT-FG-3MTR-S4-S4-MT

Compatible Model: IP, IE

Note:

- It is recommended that the MOC of the diaphragm be equivalent or superior than the MOC of the bottom chamber.
- Specifications and dimensions given in this product catalogue represents the state of engineering at the time of printing. Modifications may take place and materials specified may be replaced by others without prior notice.

MOC of bottom chamber	Pressure Vs Temperature					
	20°C	40°C	60°C	80°C	100°C	120°C
PVDF	10Kg/cm ²	10Kg/cm ²	10Kg/cm ²	7Kg/cm ²	4Kg/cm ²	2Kg/cm ²
PP	10Kg/cm ²	10Kg/cm ²	6Kg/cm ²	4Kg/cm ²	1Kg/cm ²	NA
PVC	10Kg/cm ²	10Kg/cm ²	4Kg/cm ²	1Kg/cm ²	NA	NA