

Diaphragm seal Flange insert type



Features:

- Welded diaphragm
- Most suitable for slurry & corrosive services.
- Flushing ring, flange & diaphragm are available in various types of SS & exotic material.

Applications:

- Diaphragm seals are designed to isolate the sensing element of pressure gauges and pressure switches from process fluids that they may be corrosive, viscous, sedimentous and / or with a high temperature.

Standard Parameters

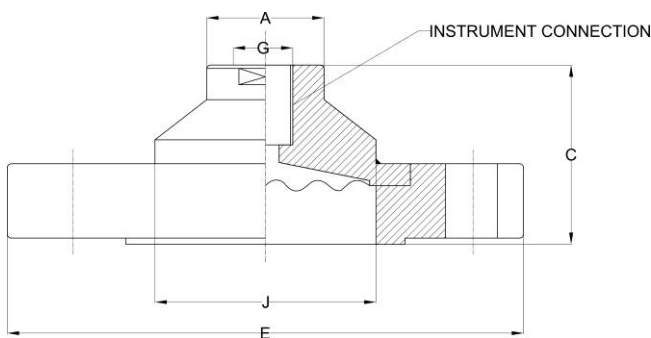
Seal type & Range	: T26 = -1 to 0 kg/cm ² & 0 to 250 kg/cm ² (Non-PTFE Lined) *(Standard)
	: T27 = -1 to 0 kg/cm ² & 0 to 40 kg/cm ² (PTFE Lined) *
Process temperature	: - 40 °C to 200 °C for without PTFE lined
Instrument connection	: 1/2" BSP[F]
Process connection	: Flange (As per DIN/BS/ANSI/JIS), 25 NB (1") & above
Fill fluid	: Silicon Oil - DC 200
Flange finish	: 125-250 AARH

Materials of Construction

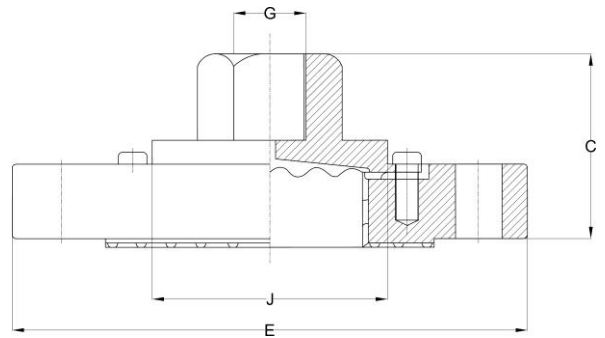
Diaphragm	: AISI 316L SS
Top chamber	: AISI 304 SS
Flange	: AISI 316 SS

Dimensional drawing

Type T26



Type T27



A	C	E	G	J
30	44.5	**	½" NSP[F]	***

** As per standard flange table ANSI, DIN, BS, JIS, Etc.
*** Diaphragm dia to suit flange

Note: ● Drawings are not to scale ● All dimensions are in mm

Flange Table

How To Select

E.g. For flange size of 1 1/2" 150# as per ANSI B 16.5 with raised face : B33 - A2

A2 Raised Face

A3 Flat Face

Flange Finish shall be 125 - 250 AARRH as a standard. For other finish, please consult factory.

As Per DIN 2527

DN	PN	CODE
25	6	A26
	10	A27
	16	A28
	25	A29
	40	A30
	64	A31
	100	A32
	160	A33
	250	A34
	400	A35
40	6	A41
	10	A42
	16	A43
	25	A44
	40	A45
	64	A46
	100	A47
	160	A48
	250	A49
	400	A50
	6	A51
	10	A52
	16	A53
	25	A54
40	A55	
64	A56	
100	A57	
160	A58	
250	A59	
400	A60	

DN	PN	CODE
65	6	A61
	10	A62
	16	A63
	25	A64
	40	A65
	64	A66
	100	A67
	160	A68
	250	A69
	400	A70
80	6	A71
	10	A72
	16	A73
	25	A74
	40	A75
	64	A76
	100	A77
	160	A78
	250	A79
	400	A80

As Per DIN 2642

DN	PN	CODE
25	10	A93
40		A95
50		A96
65		A97
80		A98

As Per DIN 2635

DN	PN	CODE
25	40	B03
40		B05
50		B06
65		B07
80		B08

As Per BS - 10

NOMINAL SIZE	TABLE	CODE
1"	D	B96
	E	B97
	F	B98
	H	B99
	J	C01
1 1/2"	K	C02
	D	C09
	E	C10
	F	C11
	H	C12
2"	J	C13
	K	C14
	D	C15
	E	C16
	F	C17
	H	C18
	J	C19
	K	C20

NOMINAL SIZE	TABLE	CODE
2 1/2"	D	C21
	E	C22
	F	C23
	H	C24
	J	C25
3"	K	C26
	D	C27
	E	C28
	F	C29
	H	C30
J	C31	
K	C32	

As Per DIN 2633

DN	PN	CODE
25	16	A84
40		A86
50		A87
65		A88
80		A89

As Per JIS - B 2210

NOMINAL SIZE	RATING /CLASS	CODE
25A	5K	B66
	10K	B67
	40K	B68
40A	5K	B72
	10K	B73
	40K	B74
50A	5K	B75
	10K	B76
	40K	B77
65A	5K	B78
	10K	B79
	40K	B80
80A	5K	B81
	10K	B82
	40K	B83

As Per ANSI B 16.5

NOMINAL SIZE	RATING /CLASS	CODE	NOMINAL SIZE	RATING /CLASS	CODE
1"	150	B21	2 1/2"	150	B45
	300	B22		300	B46
	600	B23		600	B47
	900	B24		900	B48
	1500	B25		1500	B49
	2500	B26		2500	B50
1 1/2"	150	B33	3"	150	B51
	300	B34		300	B52
	600	B35		600	B53
	900	B36		900	B54
	1500	B37		1500	B55
	2500	B38		2500	B56
2"	150	B39			
	300	B40			
	600	B41			
	900	B42			
	1500	B43			
	2500	B44			

Ordering Codes

1. Type		T06	7. Protection on wetted parts		PL
T26	-1 to 0 kg/cm ² & 0 to 250 kg/cm ² (Non-PTFE Lined) (Standard)		PL	PTFE Lining on Bottom Chamber - 2 mm THICK (Max. Up to 150 °C)	
T27	-1 to 0 kg/cm ² & 0 to 40 kg/cm ² (PTFE Lined)	15BF	PT	PTFE Protection for Diaphragm (Max. Up to 150 °C) (Suitable for Pressure Ranges only)	FG
2. Instrument Connection			PC	PTFE Coating on Diaphragm (Max. Up to 315 °C)	
10BF	3/8" BSP [F]		8. Filling Fluids		
15BF	1/2" BSP [F](Standard)	S6	S1	Silicon DC 200 [-40 to 205°C]	3Mtr
15NF	1/2" NPT [F]		S2	Silicon DC 704 [10 to 337°C]	
3. Top Chamber			S3	Silicon DC 710 [7 to 371°C]	
S4	AISI 304 SS (Standard)	S6	FG	Food Grade Oil [-20 to 140°C]	S4
S6	AISI 316 SS		9. Remote Mounting*		
S6L	AISI 316L SS		Specify in Meters		
CS	Carbon Steel	S6	*with capillary of max up to 6 Meters		S4
4. Diaphragm			10. Capillary		
S6L	AISI 316L SS (Standard)		S4	AISI 304 SS	
MO	MONEL	S6	AISI 316 SS	S4	
HC	Hastelloy 'C'	11. Capillary covered with armour*			
SL	Silver*	S4	AISI 304 SS		
IN	Inconel 600	TF	S6	AISI 316 SS	MT
TI	Titanium		PV	PVC (Ambient Temp. Max. 60°C)	
TN	Tantalum		*Applicable with capillary option if applied		
PT	PTFE*	TF	12. Other Options		
5. Flange Material			HL	Helium leak test	
S4	AISI 304 SS		WI	Dry Seal Only Without Instrument	
S6L	AISI 316L SS	MT	Material Test Certificates*		
CS	Carbon Steel	*Material test certificates will be provided for wetted parts only with chemical composition testing. For others, please consult factory.			
Mo	Monel	12. Other Options			
TI	Titanium	HL Helium leak test			
HC	Hastelloy C	WI Dry Seal Only Without Instrument			
S6	AISI 316 SS (Standard)	MT Material Test Certificates*			
TN	Tantalum	*Material test certificates will be provided for wetted parts only with chemical composition testing. For others, please consult factory.			
6. Process Connection		A55			
As per DIN / BS / ANSI / JIS (Select code from flange table)					

Ordering example: FI-T06-15BF-S6-S6-TF-A55-PL-FG-3Mtrs-S4-S4-MT

Compatible Model: IP, IE

Note:

1. It is recommended that the MOC of the diaphragm be equivalent or superior than the MOC of the bottom chamber.
2. Specifications and dimensions given in this product catalogue represents the state of engineering at the time of printing. Modifications may take place and materials specified may be replaced by others without prior notice.