

# Diaphragm seal Slip ring coupled type



### Features:

- Diaphragm directly welded to top chamber
- Easy to clean
- Easy to change process connection / bottom chamber

### Applications:

- Diaphragm seals are designed to isolate the sensing element of pressure gauges and pressure switches from process fluids that they may be corrosive, viscous, sedimentous and / or with a high temperature.

### Standard Parameters

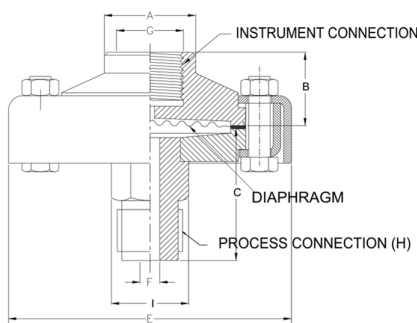
Seal type & Range	: T06 = -1 to 0 kg/cm <sup>2</sup> & 0 to 70 kg/cm <sup>2</sup> (Standard version) : T07 = -1 to 0 kg/cm <sup>2</sup> & 0 to 70 kg/cm <sup>2</sup> (extended neck)
Process temperature	: - 40 °C to 200 °C or as per fill fluid
Instrument connection	: 1/2" BSP[F]
Process connection	: 1/2" BSP[M]
Fill fluid	: Silicon Oil - DC 200
Mounting	: Direct (without capillary)

### Materials of Construction

Diaphragm	: AISI 316L SS
Top chamber	: AISI 304 SS
Bottom chamber	: AISI 316 SS
Nuts / bolts	: AISI 304 SS
Sealing gasket	: PTFE
Tension Flange	: AISI 304 SS

## Dimensional drawing

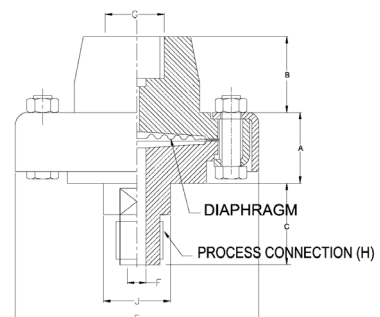
Type T06 (Standard version)



A	~B	~C	E	F	G	H	I	Wt.
30	27	45	93	6	1/2" BSP[F]	1/2" BSP[M]	22 HEX	1250

Wt. = Approx. weight in grams

Type T07



A	~B	~C	E	F	G	H	J	Wt.
27	29	32	93	6	1/2" BSP[F]	1/2" BSP[F]	25	1250

Wt. = Approx. weight in grams

Note: ● Drawings are not to scale ● All dimensions are in mm

Ordering Codes

<b>1. Type</b>		<b>T06</b>	<b>6. Bottom chamber</b>		<b>S6</b>	<b>9. Filling fluid</b>		<b>FG</b>
<b>T06</b>	-1 to 0 kg/cm <sup>2</sup> & 0 to 70 kg/cm <sup>2</sup> (Standard)		<b>S4</b>	AISI 304 SS		<b>S1</b>	Silicon DC 200 [-40 to 205°C]	
<b>T07</b>	-1 to 0 kg/cm <sup>2</sup> & 0 to 70 kg/cm <sup>2</sup> (Extended Neck)		<b>S6</b>	AISI 316 SS (Standard)		<b>S2</b>	Silicon DC 704 [10 to 337°C]	
<b>2. Instrument Connection*</b>		<b>15BF</b>	<b>S6L</b>	AISI 316L SS		<b>S3</b>	Silicon DC 710 [7 to 371°C]	
<b>06BF</b>	1/4" BSP[F]		<b>TT</b>	TITANIUM		<b>FG</b>	Food Grade Oil [-20 to 140°C]	
<b>10BF</b>	3/8" BSP [F]		<b>MO</b>	MONEL		<b>10. Remote Mounting*</b>		<b>3Mtr</b>
<b>15BF</b>	1/2" BSP [F](Standard)		<b>HC</b>	Hastelloy 'C'		Specify in Meters		
<b>15NF</b>	1/2" NPT [F]		<b>TN</b>	Tantalum		*with capillary of max up to 6 Meters		
<b>06NF</b>	1/4" NPT [F]		<b>PV</b>	PVC*		<b>11. Capillary</b>		<b>S4</b>
*(Select this option when dry seal is required)			<b>PD</b>	PVDF*		<b>S4</b>	AISI 304 SS	
<b>3. Top Chamber</b>		<b>S6</b>	<b>PP</b>	Polypropylene*		<b>S6</b>	AISI 316 SS	
<b>S4</b>	AISI 304 SS (Standard)		<b>7. Process Connection</b>		<b>15B</b>	<b>12. Capillary covered with armour*</b>		<b>S4</b>
<b>S6</b>	AISI 316 SS		<b>06BF</b>	1/4" BSP[F]		<b>S4</b>	AISI 304 SS	
<b>S6L</b>	AISI 316L SS		<b>10BF</b>	3/8" BSP[F]		<b>S6</b>	AISI 316 SS	
<b>4. Diaphragm</b>		<b>S6</b>	<b>15BF</b>	1/2" BSP[F]		<b>PV</b>	PVC (Ambient Temp. Max. 60°C)	
<b>S6L</b>	AISI 316L SS (Standard)		<b>20BF</b>	3/4" BSP[F]		*Applicable with capillary option if applied		
<b>MO</b>	MONEL		<b>06NF</b>	1/4" NPT[F]		<b>13. Other Options</b>		<b>MT</b>
<b>HC</b>	Hastelloy 'C'		<b>15NF</b>	1/2" NPT[F]		<b>HL</b>	Helium leak test	
<b>SL</b>	Silver*		<b>20NF</b>	3/4" NPT[F]		<b>WI</b>	Dry Seal Only Without Instrument	
<b>IN</b>	Inconel 600		<b>06B</b>	1/4" BSP[F]		<b>MT</b>	Material Test Certificates*	
<b>TI</b>	Titanium		<b>M20</b>	M20 x 1.5[M]		*Material test certificates will be provided for wetted parts only with chemical composition testing. For others, please consult factory.		
<b>TN</b>	Tantalum		<b>06N</b>	1/4" NPT[M]				
*(Range up to 21Kg/cm <sup>2</sup> )			<b>15N</b>	1/2" NPT[M]				
<b>5. Sealing Gasket</b>		<b>TF</b>	<b>20N</b>	3/4" NPT[M]				
<b>TF</b>	PTFE (Standard)		<b>10B</b>	3/8" BSP [M]				
<b>ME</b>	Metal		<b>15B</b>	1/2" BSP [M]				
			<b>8. Protection on wetted parts</b>		<b>PT</b>			
			<b>PL</b>	PTFE Lining on Bottom Chamber - 2 mm THICK (Max. Up to 150 °C) *				
			<b>PT</b>	PTFE Protection for Diaphragm (Max. Up to 150 °C) (Suitable for Pressure Ranges only)				
			<b>PC</b>	PTFE Coating on Diaphragm (Max. Up to 315 °C)				
			*With bore diameter 10 mm minimum & for connection size 1/2" & above only.					

Ordering example: SR-T06-15BF-S6-S6-TF-S6-15B-PT-FG-3MTR-S4-S4-MT

Compatible Model: IP, IE

Note:

1. It is recommended that the MOC of the diaphragm be equivalent or superior than the MOC of the bottom chamber.
2. Specifications and dimensions given in this product catalogue represents the state of engineering at the time of printing. Modifications may take place and materials specified may be replaced by others without prior notice.