

Diaphragm Seal Wafer type (Pancake)



Features:

- Laser welded diaphragm
- Suitable for slurry & high viscous service
- Easy to clean
- Flush fitment in pipeline
- Flushing ring flange & diaphragm are available in various types of SS & exotic material.

Applications:

- Diaphragm seals are provided in the instruments like pressure gauge, switches, transmitters in order to isolate the sensing element from the main service due its corrosive viscous & sedimented nature & avoid clogging & solidification.
- This kind of seals are widely used in the viscous & corrosive services where flushing is required periodically & frequently

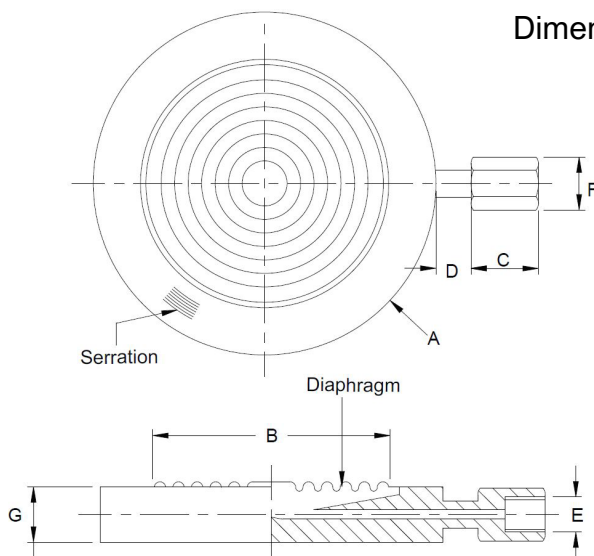
Standard Parameters

Range	: 1 kg/cm ² to 160 kg/cm ²
Process temperature	: -40° C to 200° C or as per filled fluid
Instrument connection	: 1/4" NPT[F]
Process connection	: Flange [ANSI/BS/DIN/JIS], Suitable for 2" & above
Flange finish	: Finish 125 to 250 AARH

Materials of Construction

Diaphragm	: AISI 316L SS
Pancake body / flange	: AISI 316 SS
Fill fluid	: Silicon oil-DC 200

Dimensional drawing



A	B	C	D	E	F	G
**	***	20	*	1/4" NPT[F]	17 Hex	22

*To Suit flange raised face

**2" & above flanges as per ANSI, BS, DIN, JISS etc.

***Diaphragm size as per pressure range

Note: ● Drawings are not to scale ● All dimensions are in mm

Flange connection codes

As Per DIN 2527

DN	PN	CODE	DN	PN	CODE
50	6	A51	80	6	A71
	10	A52		10	A72
	16	A53		16	A73
	25	A54		25	A74
	40	A55		40	A75
	64	A56		64	A76
	100	A57		100	A77
	160	A58		160	A78
	250	A59		250	A79
	400	A60		400	A80

As Per ANSI B 16.5

NOMINAL SIZE	RATING /CLASS	CODE
2"	150	B39
	300	B40
	600	B41
	900	B42
	1500	B43
	2500	B44
	3"	150
300		B52
600		B53
900		B54
1500		B55
2500		B56

As Per BS - 10

NOMINAL SIZE	TABLE	CODE
2"	D	C15
	E	C16
	F	C17
	H	C18
	J	C19
	K	C20
	3"	D
E		C28
F		C29
H		C30
J		C31
K	C32	

As Per JIS - B 2210

NOMINAL SIZE	RATING /CLASS	CODE
50A	5K	B75
	10K	B76
	40K	B77
80A	5K	B81
	10K	B82
	40K	B83

As Per DIN 2642

DN	PN	CODE
50	10	A96
80		A98

As Per DIN 2635

DN	PN	CODE
50	40	B06
80		B08

Raised face : A2
Flat face : A3

As Per DIN 2633

DN	PN	CODE
50	16	A87
80		A89

Ordering Codes

<p>1. Diaphragm</p> <p>S6L AISI 316L SS HC Hastelloy C TI Titanium IN Inconel 600 MO Monel TN Tantalum NI Nickel</p>	S6L	<p>6. Filling Fluids</p> <p>S1 Silicon DC 200 [-40°C to 205°C] S2 Silicon DC 704 [10°C to 337°C] S3 Silicon DC 710 [7°C to 371°C] FG Food grade Oil [-20°C to 140°C]</p>	S1
<p>2. Pancake body/Flange*</p> <p>2S6 For 2" Flange size- AISI 316 SS 3S6 For 3" Flange size- AISI 316 SS 2HC For 2" Flange size- Hastelloy C 3HC For 3" Flange size- Hastelloy C <small>*Suitable for 2" or 3" DIN/ANSI/BS,JIS Flanges</small></p>	2S6	<p>7. Remote mounting</p> <p>Specify in meters *With capillary of Max up to 6M</p>	3Mtr
<p>3. Instrument Connection</p> <p>06BF 1/4" BSP[F] 06NF 1/4" NPT[F] 10BF 3/8" BSP[F]</p>	06BF	<p>8. Capillary</p> <p>S4 AISI 304 SS S6 AISI 316 SS</p>	S6
<p>4. Flange Material</p> <p>HC Hastelloy C S6 AISI 316 (Standard) S6L AISI 316L</p>	S6	<p>9. Capillary covered with armour</p> <p>S4 AISI 304 SS S6 AISI 316 SS PV PVC (Ambient Temp Max 60°C)</p>	S6
<p>5. Protection on wetted parts</p> <p>PT PTFE Coating on diaphragm (max. upto 315°C)</p>	PT	<p>10. Other options</p> <p>HL Helium leak test WI Dry seal only without instrument MT Material test certificate</p>	MT

Ordering Example: WF-S6L-2S6-06BF-S6-PT-S1-3Mtr-S6-S6-MT

Note: Specification and dimension given in this product catalogue represent the state of engineering at the time on printing, modification may take place and materials specified maybe replaced by others without prior notice.