

All SS pressure gauge Baffle wall (Solid Front)



Features:

- External zero adjustment (optional)
- Solid Front Design Feature
Baffle wall interposed between the sensing system & the window & a pressure relieving back for increased safety
- Dry / Liquid filled
- Accuracy $\pm 0.5\%$ F.S. (Optional)
- Stainless steel blow-off back

Applications:

- Suitable for high pressure gas
- Corrosive / Hazardous environment that will not obstruct the pressure system

Standard:

- EN 837-1

Standard Parameters

Accuracy	: $\pm 1.0\%$ of F. S.
Ambient temperature	: -20 to $+65^\circ\text{C}$
Process temperature	: 300°C max.
Operating Pressure Range	: 75% of the scale value
Over Pressure Limit	: ≤ 100 bar : 125% of Max. Scale Value : > 100 to ≤ 600 bar : 115% of Max. Scale Value : > 600 to ≤ 1600 bar : 110% of Max Scale Value

Materials of Construction

Case & bezel	: AISI 304 SS (Bayonet type)
Bourdon	: AISI 316L SS
Socket	: AISI 316 SS (Directly welded to the case)
Movement	: AISI 304 SS
Joints	: Tig Argon Arc Welding
Protection	: IP 65
Dial	: Aluminium, black graduation on white background
Pointer	: Aluminium, black coloured, micrometer zero adjustable
Window	: Shatterproof / Safety glass
Blow off disc	: AISI 304 SS
Gasket & filling plug	: Neoprene

Glycerine Filled Version

Accuracy	: $\pm 1.6\%$ of F.S.
Ambient Temperature	: Maximum 65°C
Process Temperature	: Maximum 65°C
Window	: Shatterproof / Safety glass
Dampening Liquids	: Glycerine 99.7%

Temperature Effect

The variation of indication caused by effects of temperature is to be calculated by below formula which is to be added in the specific accuracy while measurement:

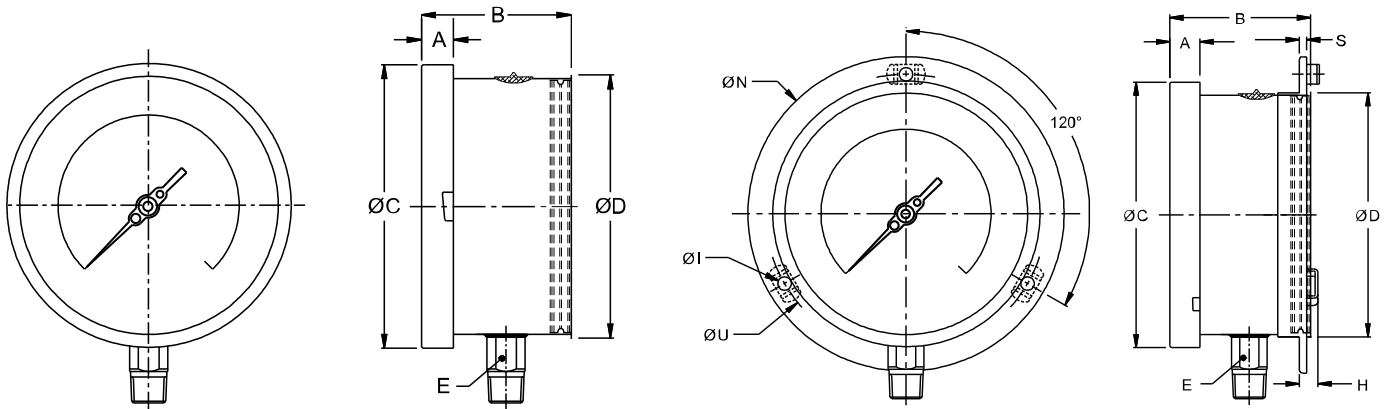
Formula $\pm 0.04 \times (t_2 - t_1) \%$ of F.S.

where t_1 : reference temperature ($+20^\circ\text{C}$) and t_2 : ambient temperature in $^\circ\text{C}$.

Dimensional drawing

TYPE 1

TYPE 2



NS	A	B	ØC	ØD	E	W	WG
100	12.5	70	111	100	22	760	1070
150	15	70	161	149	22	1300	2090

W = Weight in grams with box
WG = Weight in grams with glycerine & box

NS	A	B	ØC	ØD	E	ØN	ØU	H	ØI	S	W	WG
100	12.5	70	111	100	22	134	76	15	6	1	860	1170
150	15	70	161	149	22	186	118	15	6	1	1440	2230

W = Weight in grams with box
WG = Weight in grams with glycerine & box

Range table

Note: We offer national & international ranges in Scales like kPa, MPa, bar, psi, kg/cm² & dual Scale like kPa with psi, kPa with bar, bar with psi or scales as per the requirement can be provided on request. Following are the example tables for kg/cm² & psi scales

Single scale (Kg/cm² or bar)

0/0.6	0/4	0/25	0/160	0/1000
0/1	0/6	0/40	0/250	0/1600
0/1.6	0/10	0/60	0/400	
0/2.5	0/16	0/100	0/600	

Dual scale (psi with Kg/cm²)

psi	kg/cm ²	psi	kg/cm ²	psi	kg/cm ²
0/15	0/1	0/400	0/28	0/4000	0/280
0/30	0/2	0/500	0/35	0/5000	0/350
0/60	0/4	0/600	0/40	0/6000	0/400
0/100	0/7	0/1000	0/70	0/10000	0/700
0/150	0/10	0/1500	0/100	0/15000	0/1000
0/220	0/16	0/2200	0/160	0/22000	0/1600
0/300	0/20	0/3000	0/200		

Note: ● Drawings are not to scale ● All dimensions are in mm

Vacuum and Compound Range

Dual scale

inHg with psi	mmHg with kg/cm ²	inHg with psi	mmHg with kg/cm ²	inHg with psi	mmHg with kg/cm ²
- 30/0	- 760 / 0	- 30/60	- 760 / 4	- 30/200	- 760 /14
- 30/15	- 760 / 1	- 30/100	- 760 / 7	- 30/300	- 760 / 21
- 30/30	- 760 / 2	- 30/150	- 760 /10		

Single scale Kg/cm²

- 1/0	-1/1.5	- 1/5	- 1/15
- 1/0.6	-1/3	- 1/9	- 1/24

Accessories

Cooling Tower	Overload Protector (Gauge Saver)	Snubber
Gauge Cock	Needle Valve	Siphon

Ordering codes

1. Dial Size	E	5. Window	SG																																		
<table border="1"> <thead> <tr> <th>Code</th> <th>Nominal size</th> </tr> </thead> <tbody> <tr> <td>E</td> <td>100mm</td> </tr> <tr> <td>G</td> <td>150mm</td> </tr> </tbody> </table>		Code		Nominal size	E	100mm	G	150mm	<table border="1"> <tbody> <tr> <td>PG</td> <td>Plexi glass</td> </tr> <tr> <td>SG</td> <td>Shatterproof/safety glass</td> </tr> </tbody> </table>	PG	Plexi glass	SG	Shatterproof/safety glass																								
Code	Nominal size																																				
E	100mm																																				
G	150mm																																				
PG	Plexi glass																																				
SG	Shatterproof/safety glass																																				
2. Mounting	1	6. Options	5C																																		
<table border="1"> <tbody> <tr> <td>1</td> <td>Direct bottom</td> </tr> <tr> <td>2</td> <td>Bottom surface</td> </tr> </tbody> </table>		1		Direct bottom	2	Bottom surface	<table border="1"> <tbody> <tr> <td>OA</td> <td>Accuracy ± 0.5% of F.S. (for dry version)</td> </tr> <tr> <td>S6</td> <td>AISI 316 SS case & bezel</td> </tr> <tr> <td>SD</td> <td>AISI 316 SS movement</td> </tr> <tr> <td>5C</td> <td>Five-point calibration certificate</td> </tr> <tr> <td>OS</td> <td>Oxygen service (for dry version)</td> </tr> <tr> <td>EA</td> <td>External zero adjustment</td> </tr> <tr> <td>ST</td> <td>SS tag plate</td> </tr> <tr> <td>DT</td> <td>Dial tag marking</td> </tr> <tr> <td>CD</td> <td>Custom designed dial</td> </tr> <tr> <td>OP</td> <td>Over range protection 150% F.S.</td> </tr> <tr> <td>I5</td> <td>Enclosure protection IP 65</td> </tr> <tr> <td>I8</td> <td>Enclosure protection IP 68</td> </tr> <tr> <td>MT</td> <td>Material test certificate*</td> </tr> <tr> <td>HL</td> <td>Helium leak test</td> </tr> <tr> <td>NT</td> <td>Calibration certificate with NABL traceability</td> </tr> <tr> <td>VS</td> <td>Internal vacuum stop</td> </tr> </tbody> </table>	OA	Accuracy ± 0.5% of F.S. (for dry version)	S6	AISI 316 SS case & bezel	SD	AISI 316 SS movement	5C	Five-point calibration certificate	OS	Oxygen service (for dry version)	EA	External zero adjustment	ST	SS tag plate	DT	Dial tag marking	CD	Custom designed dial	OP	Over range protection 150% F.S.	I5	Enclosure protection IP 65	I8	Enclosure protection IP 68	MT	Material test certificate*	HL	Helium leak test	NT	Calibration certificate with NABL traceability
1	Direct bottom																																				
2	Bottom surface																																				
OA	Accuracy ± 0.5% of F.S. (for dry version)																																				
S6	AISI 316 SS case & bezel																																				
SD	AISI 316 SS movement																																				
5C	Five-point calibration certificate																																				
OS	Oxygen service (for dry version)																																				
EA	External zero adjustment																																				
ST	SS tag plate																																				
DT	Dial tag marking																																				
CD	Custom designed dial																																				
OP	Over range protection 150% F.S.																																				
I5	Enclosure protection IP 65																																				
I8	Enclosure protection IP 68																																				
MT	Material test certificate*																																				
HL	Helium leak test																																				
NT	Calibration certificate with NABL traceability																																				
VS	Internal vacuum stop																																				
3. Gauge Connection	10B	7. Range	0-10 Kg/cm²																																		
<table border="1"> <tbody> <tr> <td>10B</td> <td>3/8" BSP[M] standard</td> </tr> <tr> <td>15B</td> <td>1/2" BSP[M] standard</td> </tr> <tr> <td>15N</td> <td>1/2" NPT[M]</td> </tr> <tr> <td>M20</td> <td>M20 X 1.5[M]</td> </tr> </tbody> </table>		10B		3/8" BSP[M] standard	15B	1/2" BSP[M] standard	15N	1/2" NPT[M]	M20	M20 X 1.5[M]	Refer range table																										
10B	3/8" BSP[M] standard																																				
15B	1/2" BSP[M] standard																																				
15N	1/2" NPT[M]																																				
M20	M20 X 1.5[M]																																				
4. Execution	DR																																				
<table border="1"> <tbody> <tr> <td>DR</td> <td>Dry</td> </tr> <tr> <td>FL</td> <td>Fillable liquid</td> </tr> <tr> <td>LG</td> <td>Liquid glycerine</td> </tr> <tr> <td>LS</td> <td>Liquid silicon</td> </tr> </tbody> </table>	DR	Dry	FL	Fillable liquid	LG	Liquid glycerine	LS	Liquid silicon																													
DR	Dry																																				
FL	Fillable liquid																																				
LG	Liquid glycerine																																				
LS	Liquid silicon																																				

Ordering Example: BW-E-1-10B-DR-SG-5C-0-10Kg/cm²

*Material test certificate will be provided for wetted parts only. For others, pls contact factory.

Note: Specifications and dimensions given in this product catalogue represents the state of engineering at the time of printing. Modifications may take place and materials specified may be replaced by others without prior notice.