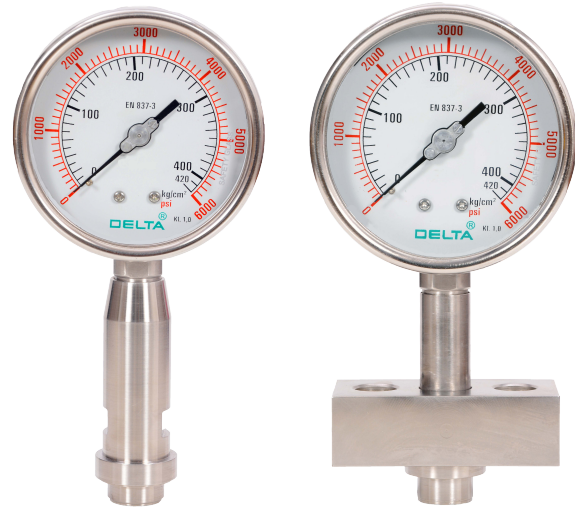


Homogenizer Gauge 4" (100 mm)



Features:

- CE approved
- Fillable version facilitates usage in vibration zones to avoid damage to its mechanism.
- Suitable to use in dairy homogenizer machines
- Electrical contact option available

Applications:

- Dairy
- Food & Beverage
- Pharmaceutical

Standard Parameters

Accuracy	: ±1.6% of F. S.
Ambient temperature	: -25 to +65°C
Process temperature	: 120°C max.
Operating Pressure Range	: 75% of the scale value

Materials of Construction

Case & bezel	: AISI 304 SS
Bourdon	: AISI 316L SS
Socket	: AISI 316 SS (Directly welded to the case)
Movement	: AISI 304 SS
Diaphragm	: AISI 316L SS
Body	: AISI 316 SS
Joints	: Tig Argon Arc Welding
Protection	: IP 65
Dial	: Aluminium, black graduation on white background
Pointer	: Aluminium, black coloured, slotted zero adjustable
Window	: Shatter Proof
Filling Plug & gasket	: Neoprene
Blow off disk	: Neoprene
Dampening liquid	: Glycerine [99.7%]

Electric Contact Dry Version

Accuracy	: ±2.5% of F.S.
Ambient & Process Temperature	: Maximum 65°C
Window	: Polycarbonate Dome
Dampening Liquids	: Dielectric Oil [optional]

Temperature Effect

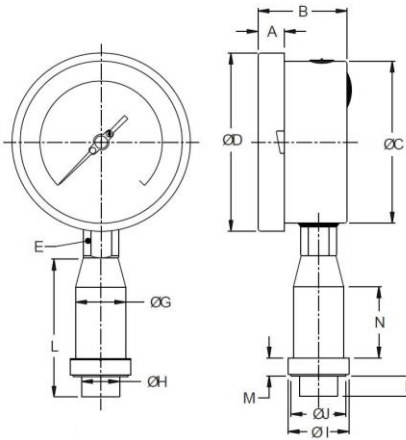
The variation of indication caused by effects of temperature is to be calculated by below formula which is to be added in the specific accuracy while measurement:

Formula $\pm 0.08 \times (t_2 - t_1) \% \text{ of F.S.}$

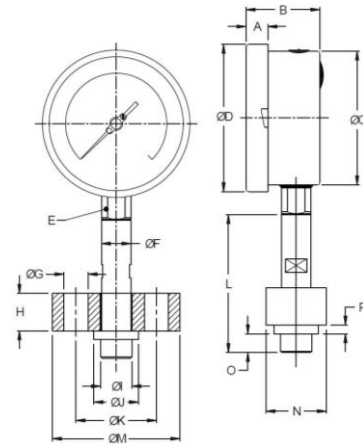
where t1: reference temperature (+20°C) and t2: ambient temperature in °C.

Dimensional drawing

TYPE H1



TYPE H2



NS	A	B	ØC	ØD	E	ØG	ØH	ØI	ØJ	K	L	M	N	O
100	12.5	47	100	111	22	31	23.5	37.5	34	10	89.5	10	34	24.2

NS	A	B	ØC	ØD	E	ØF	ØG	H	ØI	ØJ	ØK	L	ØM	N	O	P
100	12.5	47	100	111	22	22	18	28	24	35	60	90	95	45	13	6.5

Ordering Codes

<p>1. Dial Size*</p> <p>Code Nominal size</p> <p>E 100mm</p> <p>*Note: other dial size can be provided on request</p>	E	<p>5. Filling fluid</p> <p>LG Glycerine [10° to 150° C]</p> <p>FG Food grade oil [-20° to 140°C]</p>	LG
<p>2. Mounting</p> <p>1 Direct bottom</p>		<p>6. Optional Extras</p> <p>5C Five-point calibration certificate</p> <p>ST SS Tag plate</p> <p>MP Maximum reading pointer with plexi glass (for dry version only)</p> <p>CD Custom designed dial</p> <p>MT Material test certificate**</p> <p>DO Dielectric oil filled</p> <p>**Note: Material test certificate will be provided for wetted parts only with chemical composition testing.</p>	
<p>3. Gauge Connection</p> <p>H1 Without flange</p> <p>H2 With flange</p>	H1	<p>7. Capillary Covered with armour</p> <p>S6 AISI 316 SS Capillary with AISI 304 armour</p>	S6
<p>4. Range#</p> <p>0/160 160Kg/cm²</p> <p>0/250 250Kg/cm²</p> <p>0/400 400Kg/cm² (Standard)</p> <p>0/600 600Kg/cm²</p> <p>0/1000 1000Kg/cm²</p> <p>0/1600 1600Kg/cm²</p> <p>#Note: Other ranges along with units like bar also available</p>		0/400 Kg/cm²	

Ordering Example: HG-E-1-H1-0/400Kg/cm2-LG-5C-S6-1M

Note: Specifications and dimensions given in this product catalogue represents the state of engineering at the time of printing. Modifications may take place and materials specified may be replaced by others without prior notice.

Note: ● Drawings are not to scale ● All dimensions are in mm