

Electric contact pressure gauge All stainless-steel construction



Features:

- All SS Case
- All SS Measuring System
- Dry / Liquid filled
- CE Marking

Applications:

- Pumps
- Motors
- Presses
- Hydraulic
- Pneumatic equipment
- Chemicals
- Petrochemical plants
- To control the electrical operation of compressors

Standard:

- EN 837-1

Standard Parameters

Accuracy	: ±1.0% of F. S.
Ambient temperature	: -20 to +65°C
Process temperature	: 100°C max.
Electric wiring	: DIN connector
Contact setting	: Over on arc of 270° through a knob placed on front of lens
Operating Pressure Range	: 75% of the scale value
Over Pressure Limit	: Not suitable

Materials of Construction

Case & bezel	: AISI 304 SS (Bayonet Type)
Bourdon	: AISI 316L SS
Socket	: AISI 316 SS (Directly welded to the case)
Movement	: AISI 304 SS
Joints	: Tig Argon Arc Welding
Protection	: IP 65
Dial	: Aluminium, black graduation on white background
Pointer	: Aluminium, black coloured, micro-zero adjustable
Window	: Poly carbonate dome
Blow off disc	: Neoprene
Gasket & Filling Plug	: Neoprene

Dielectric oil Filled Version

Accuracy	: ±1.6% of F.S.
Ambient & Process Temperature	: Maximum 65°C
Window	: Poly carbonate dome
Dampening Liquids	: Dielectric Oil

Temperature Effect

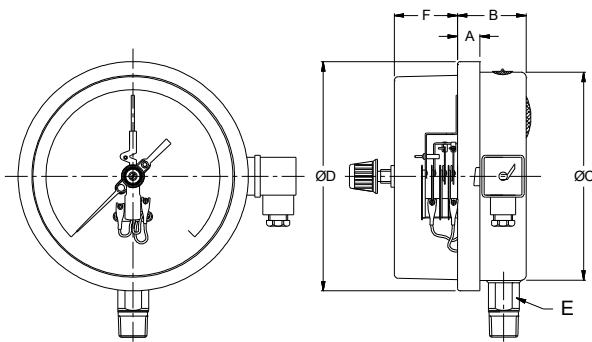
The variation of indication caused by effects of temperature is to be calculated by below formula which is to be added in the specific accuracy while measurement:

Formula $\pm 0.04 \times (t_2 - t_1) \% \text{ of F.S.}$

where t1: reference temperature (+20°C) and t2: ambient temperature in °C.

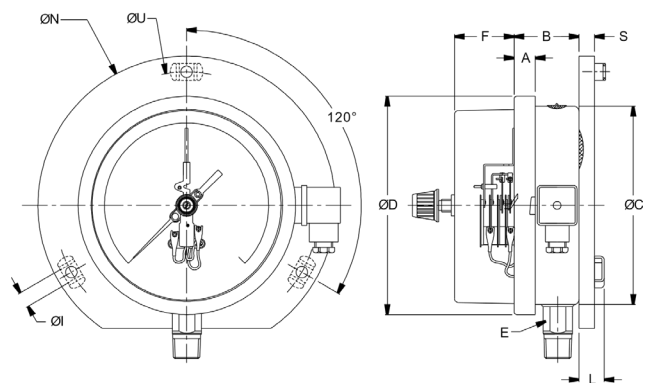
Dimensional drawing

TYPE 1



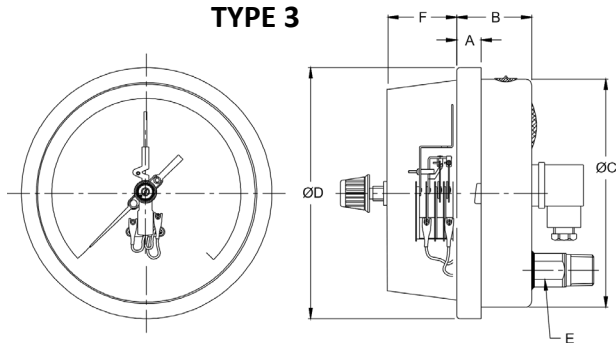
NS	A	B	ØC	ØD	E	F	Weight in gram
100	12.5	47	100	111	22	44	800
150	15	49	149	161	22	44	1200

TYPE 2



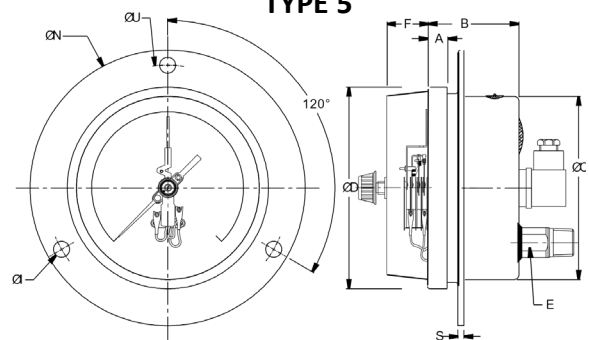
NS	A	B	ØC	ØD	E	F	ØI	ØN	ØU	L	S	Weight in grams
100	12.5	45	100	111	22	44	6	134	118	14.5	6	890
150	15	46.5	149	161	22	44	6	186	186	14.5	6	1370

TYPE 3



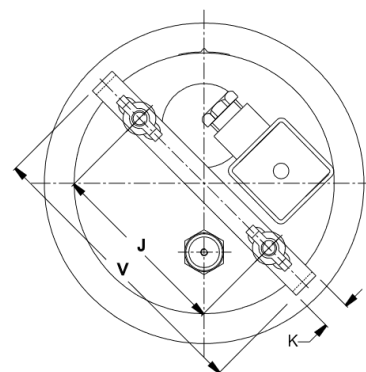
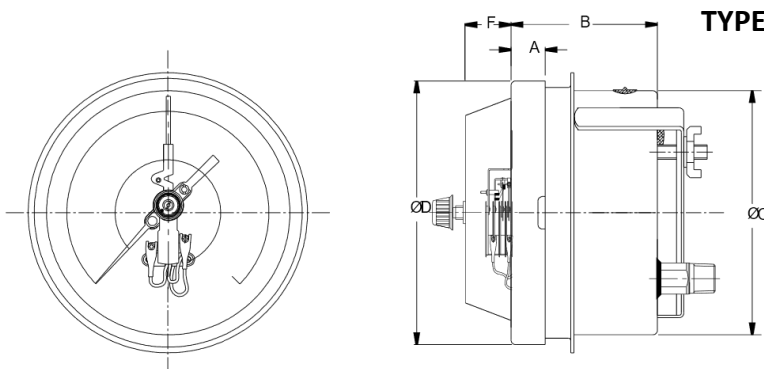
NS	A	B	ØC	ØD	E	F	Weight in gram
100	12.5	47	100	111	22	44	790
150	15	49	149	161	22	44	1140

TYPE 5



NS	A	B	ØC	ØD	E	F	ØI	ØN	ØU	Weight in gram
100	12.5	47	100	111	A/F 22	44	6	134	118	860
150	15	49	149	161	A/F 22	44	6	186	168	1300

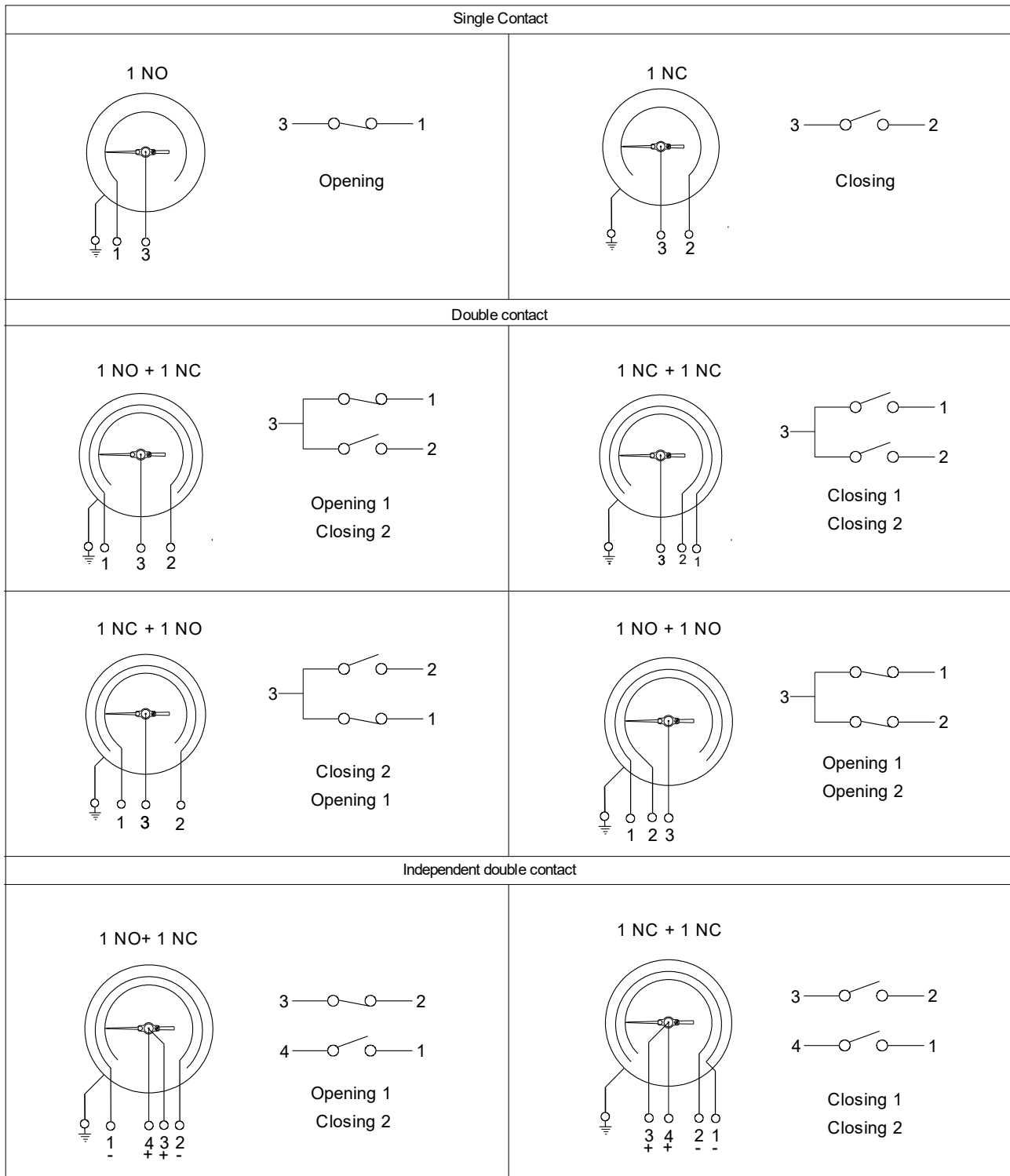
TYPE 8



NS	A	B	ØC	ØD	E	F	J	K	V	Weight in gram
100	12.5	47	100	111	A/F 22	44	72	16	108	870
150	15	49	149	161	A/F 22	44	106.5	16	166	1240

Note: ● Drawings are not to scale ● All dimensions are in mm

Wiring diagram for electric contact



Electric contact pressure gauge
All stainless-steel construction

IE

Range table

Note: We offer Pressure, Vacuum and Compound ranges in Scales like kPa, MPa, bar, psi, kg/cm² & dual Scale like kPa with psi, kPa with bar, bar with psi or scales as per the requirement can be provided on request. Following are the example tables for kg/cm² & psi scales

Pressure Table

Pressure - single scale (Kg/cm² or bar)

Compound – single scale (kg/cm² or bar)

0/1.6	0/10	0/60	0/400		
0/2.5	0/16	0/100	0/600		-1/5
0/4	0/25	0/160	0/1000		-1/9
0/6	0/40	0/250	0/1600		-1/15

Dual scale (psi with Kg/cm²)

psi	kg/cm ²	psi	kg/cm ²	psi	kg/cm ²	psi	kg/cm ²
0/25	0/1.6	0/220	0/16	0/1500	0/100	0/10000	0/700
0/35	0/2.5	0/300	0/20	0/2200	0/160	0/15000	0/1000
0/60	0/4	0/400	0/28	0/3000	0/200	0/22000	0/1600
0/100	0/7	0/600	0/40	0/4000	0/280		
0/150	0/10	0/1000	0/70	0/6000	0/400		

Accessories

Cooling Tower	Overload Protector (Gauge Saver)	Snubber
Gauge Cock	Needle Valve	Siphon

Ordering codes

1. Dial Size		E	4. Gauge Connection		10B
Code	Nominal size		10B	3/8" BSP[M] standard	
E	4" [100mm]	1	15B	1/2" BSP[M] standard	
G	6" [150mm]		06N	1/4" NPT[M]	
2. Mounting		DMB	5. Options		5C
1	Direct bottom		S6	AISI 316 SS case & bezel	
2	Bottom surface		5C	Five-point calibration certificate	
3	Direct lower back entry		DS	Dampening screw in AISI 316 SS	
5	Flush back panel with front flange		ST	SS tag plate	
8	Back entry with mounting bracket		DT	Dial tag marking	
*Ask factory if drawing required			CD	Custom designed dial	
3. Electric Contacts			TI	Monel bourdon & socket	
SB	Single; normally closed (1 NC)		DM	Dampening screw in Monel	
DBM	Double; normally closed + normally opened (1 NC + 1 NO)		MT	Material test certificate**	
SM	Single; normally open (1 NO)		HL	Helium leak test	
DMB	Double; normally open + normally closed (1 NO + 1 NC)		NT	Calibration certificate with NABL traceability	
D2B	Double; normally closed (2 NC)		VS	Internal vacuum stop	
D2M	Double; normally open (2 NO)		6. Range		
BO	Booster with relay for current up to 5 Amps		Refer range table		
					0-10 Kg/cm²

Ordering Example: IE-E-1-DMB-10B-5C-0-10Kg/cm²

Note: Specifications and dimensions given in this product catalogue represents the state of engineering at the time of printing. Modifications may take place and materials specified may be replaced by others without prior notice.