

DIAPHRAGM SEALED HEAVY DUTY MINI SEAL TYPE

DSHD

Applications :

DIAPHRAGM SEALS ARE DESIGNED TO ISOLATE THE SENSING ELEMENT OF PRESSURE GAUGES AND PRESSURE SWITCHES

Special Features :

- ★ Direct Coupled Type
- ★ Two Piece Construction
- ★ Ideal For General Purpose Application
- ★ Robust Design
- ★ All SS Construction
- ★ Std. version compatible with Delta model : IP

Specifications

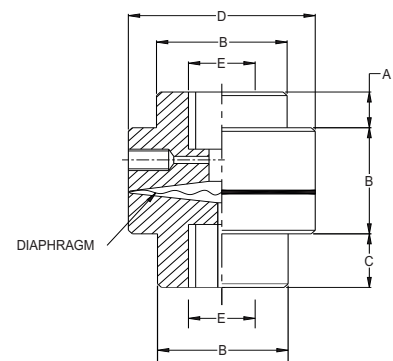
STANDARD VERSION

(COMPATIBLE Delta MODELS : IP, IPEC)

Seal Type	S1 = -1 kg/cm ² to 0 & 0 to 4 kg/cm ² (Standard) S2 = 6 kg/cm ² to 70 kg/cm ² S3 = 100 kg/cm ² to 400 kg/cm ² S4 = 250 kg/cm ² to 600 kg/cm ²
Process Temperature	- 40 °C to 200 °C or as per fill fluid
Instrument Connection	½" BSP (F) 1/4" BSP (F) for type S1 4
Process Connection	½" BSP (M) 1/4" BSP (F) for type S1 4
Fill Fluid	Silicon Oil - DC 200
Mounting	Direct (Without capillary)
Diaphragm	AISI 316L SS
Body	AISI 316 SS



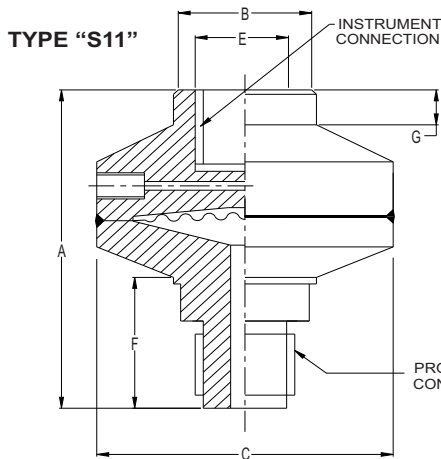
TYPE "S14"



A	B	C	D	E	Approx. Wt.#
10	30	10	34	1/4" BSP(F)	350.0

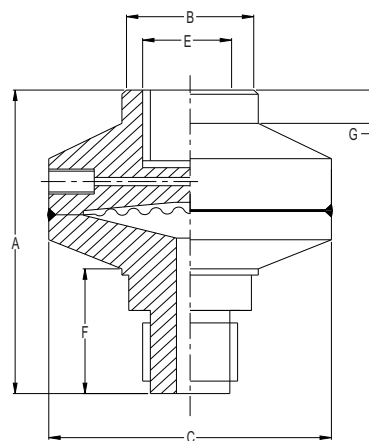
(# Weight in grams with box for Standard Model.)

DIMENSIONS - STANDARD VERSION



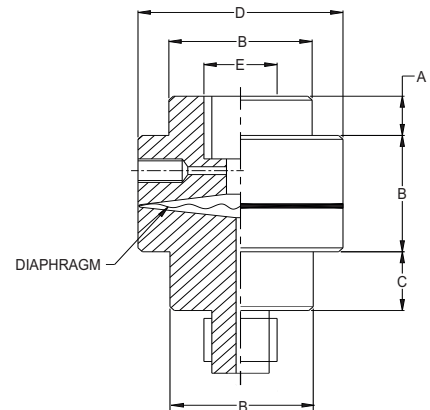
A	B	C	E	F	G	Approx. Wt.#
73	30	62	½"BSP(F)	30	8	700.0

TYPE "S12"



A	B	C	E	F	G	Approx. Wt.#
68.5	30	53	½"BSP(F)	35	8	600.0

TYPE "S13"



A	B	C	D	E	Approx. Wt.#
10	22	15	46.5	1/2"BSP(F)	400.0

HOW TO ORDER**BASIC MODEL****CODE****OPTIONAL EXTRAS**

[It is recommended that the MOC of Diaphragm should be equivalent.]

SEAL TYPE

S1	-1 kg/cm ² to 0 & 0 to 4 kg/cm ² (Standard)	S3	100 kg/cm ² to 400 kg/cm ²	S1
S2	6 kg/cm ² to 70 kg/cm ²	S4	250 kg/cm ² to 600 kg/cm ²	

INSTRUMENT CONNECTION (*For seal type S14)

VN	1/4" BSP(F) (Standard)*	VP	3/8" BSP (F)	VL	1/2" BSP (F) (Standard)	VL
VO	1/4" NPT (F)			VM	1/2" NPT (F)	

BODY

CL	AISI 316 SS (Standard)	CM	AISI 316L SS	CL
-----------	------------------------	-----------	--------------	-----------

DIAPHRAGM

UJ	AISI 316L (Standard)	UJ
-----------	----------------------	-----------

PROCESS CONNECTION (*For seal type S4)

6BF	1/4" BSP(F) (Standard)*	6NF	1/4" NPT (F)	6NM	1/4" NPT(M)	6BM	1/4" BSP(M)	15BM
10BF	3/8" BSP(F)	15NF	1/2" NPT (F)	15NM	1/2" NPT(M)	10BM	3/8" BSP(M)	
15BF	1/2" BSP(F)					15BM	1/2" BSP(M) (Standard)	

Note : Connections like Metric, PT/ PF/ Flaired / UNF/ G/ R etc can be provided on request.

FILLING FLUIDS (* Consult factory for specifications, price and delivery.)

US	FLUROLUBE 4.2 [-45 to 175 °C]	UY	SILICON DC 704 [10 to 337 °C]	UX
UT	FLUROLUBE 6.3 [-40 to 235 °C]	UZ	SILICON DC 710 [7 to 371 °C]	
UU	FLUROLUBE FS-5 [-28 to 148 °C]			
UV	FOOD GRADE OIL [-20 to 140°C]			
UX	SILICON DC 200 [-40 to 205 °C] (Standard)			

REMOTE MOUNTING (With capillary of Max. Up to 2 Mtrs.)

SPECIFY IN METERS (e.g. 1.5 = 1.5 METERS 2.0 = 2 METERS) **3Mtr.**

CAPILLARY

PE	AISI 304 SS	PG	AISI 316 SS	PE
-----------	-------------	-----------	-------------	-----------

CAPILLARY COVERED WITH ARMOUR (Applicable with PE or PG if selected)

PF	AISI 304 SS	PH	AISI 316 SS	PI	PVC (Ambient Temp. Max. 60°C)	PF
-----------	-------------	-----------	-------------	-----------	-------------------------------	-----------

OTHER OPTIONS

TC	DRY SEAL ONLY WITHOUT INSTRUMENT	GH	MATERIAL TEST CERTIFICATES*	GH
-----------	----------------------------------	-----------	-----------------------------	-----------

* MATERIAL TEST CERTIFICATES WILL BE PROVIDED FOR WETTED PARTS ONLY WITH CHEMICAL COMPOSITION TESTING. FOR OTHERS, PLEASE CONSULT FACTORY.

Ordering Example: DSHD - S1 - VL - CL - UJ - 15BM - UX - 3Mtr. - PE - PF - GH

FOR OTHER OPTIONAL ITEMS, PLEASE CONTACT FACTORY FOR DELIVERY AND MINIMUM QUANTITY OF ORDER.

Note : Specifications and dimensions given in this product catalogue represents the state of engineering at the time of printing. Modifications may take place and materials specified may be replaced by others without prior notice.