

# DIAPHRAGM SEAL Screwed Flush Type DSSF

## Applications :

Diaphragm seals are provided in the instruments like pressure Gauges, switches, transmitters in order to isolate the sensing element from the Main service due to its corrosive, viscous and sedimented nature and to avoid clogging And solidification. These seals are used in applications where the process media & Pulsation may adversely affect gauge life typically used in spray painting, waste water Treatment & chlorination plant etc

## Special Features :

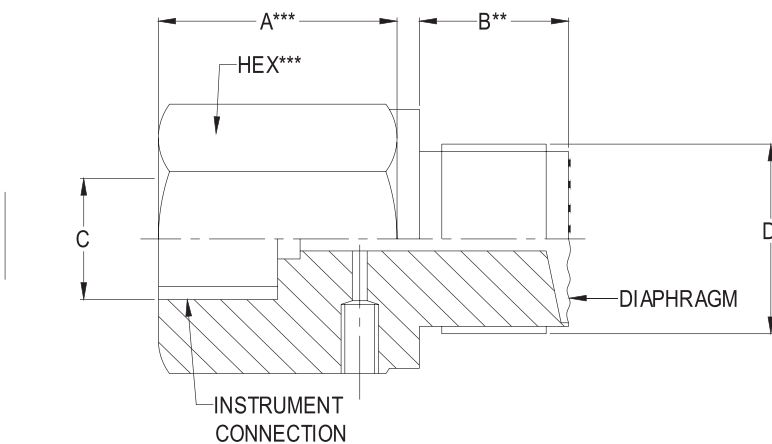
- ★ One Piece Construction
- ★ No Bolts/Gasket
- ★ Flush Diaphragm



## Specifications

- Standard Version : Compatible with model IP for NS 100 & 150mr
- Pressure Range : 4 kg/cm<sup>2</sup> to 250 kg/cm<sup>2</sup>
- Process temperature : -40°C to 200°C or as per fill fluid
- Instrument Connection : 1/4" BSP (F)
- Process Connection : 3/4" BSP (M)
- Diaphragm : AISI 316L SS
- Seal Chamber : AISI 316 SS
- Fill Fluid : Silicon Oil - DC 200

## Dimensions:



A***	B**	C	D*	HEX***
18	20	1/4" BSP(F)	3/4" BSP(M)	32

\* FROM 3/4" BSP to 1.5" BSP  
 \*\* TO SUIT PROCESS CONNECTION  
 \*\*\* As Per Thread Size

All Dimensions are in mm, Drawings are not to scale

## HOW TO ORDER

### OPTIONS:

FOR NON STANDARD PRODUCTS/OPTIONAL ITEMS, PLEASE CONTACT FACTORY FOR DELIVERY AND MINIMUM QUANTITY OF ORDER

**CHAMBER:** S6L AISI 316L SS                      S6 AISI 316 SS                      HC HASTELLOY 'C'                      S6L

**DIAPHRAGM:** S6L AISI 316L SS                      HC HASTELLOY 'C'                      HC

**INSTRUMENT CONNECTION:**                      10B

15B 1/2" BSP(F)                      06B 1/4" BSP(F)                      06N 1/4" NPT (F)

15N 1/2" NPT (F)                      10N 3/8" NPT(F)                      10B 3/8 BSP (F)

**PROCESS CONNECTION:**                      20B

25N 1" NPT (M)                      20N 3/4" NPT (M)                      50B 2" BSP (M)

40N 1 1/2" NPT (M)                      25B 1" BSP (M)                      20B 3/4" BSP (M)

50N 2" NPT (M)                      40B 1 1/2" BSP (M)

**FILLING FLUIDS:**                      UX

US FLUROLUBE 4.2 [-45 TO 175 °C / -49 TO 374° F]

UT FLUROLUBE 6.3 [-40 TO 235 °C / -40 TO 455° F]

UU FLUROLUBE FS5 [-40 TO 150°C / -40 TO 302°F]

UV FLUROLUBE FS5 [-40 TO 150°C / -40 TO 302°F]

UX SILICON DC 200-10CS [-40 TO 205°C / -40 TO 401°F]

VB SYL THERM XLT [-75 TO 150°C / -102 TO 302°F]

**CAPILLARY:** A0 WITHOUT CAPILLARY                      A1 WITH CAPILLARY                      A1  
PE AISI 304 SS                      PG AISI 316 SS                      PE

### CAPILLARY COVERED WITH ARMOUR:

PE AISI 304 SS                      PH AISI 316 SS                      PI PVC                      PE

**CAPILLARY LENGTH(Max up to 2Mtrs.)**                      1Mtr.

IN METERS (e.g. 1.5 = 1.5 METERS 2.0 = 2 METERS)

**OTHER OPTIONS:** TC                      Dry Seal Only Without Instrument                      TB

Ordering Example: DSSF- S6L - HC - 10B - 20B - UX - A1 - PE - PF - 1Mtr. - TB