

# DIAPHRAGM SEAL SANITARY SEAL CLAMP TYPE

**DSTC**

## Applications :

Diaphragm seals are provided in the instruments like pressure Gauges, switches, transmitters in order to isolate the sensing element from the Main service due to its corrosive, viscous and sedimented nature and to avoid clogging And solidification. These seals are used in applications where purity in process isEssential - typically in food, dairy beverages and pharmaceutical industries

## Special Features :

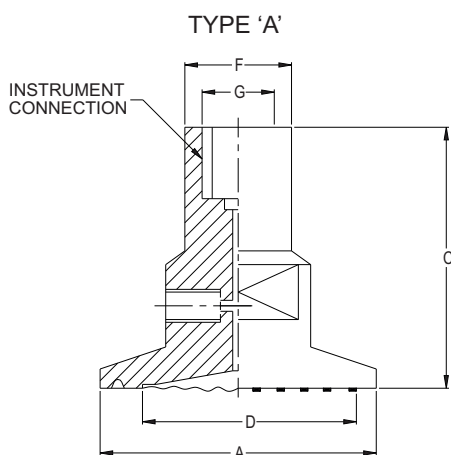
- ★ Quick Connect and Disconnect
- ★ For Hygiene Applications
- ★ Easy To Clean
- ★ Std. version compatible with Delta model : IP for NS 50 to 150mm

## Specifications

<b>Pressure Range</b>	-1 kg/cm <sup>2</sup> to 40 kg/cm <sup>2</sup>
<b>Process temperature</b>	-20°C to 140°C or as per fill fluid
<b>Instrument Connectio</b>	1/4" BSP (F)
<b>Diaphragm</b>	AISI 316L SS
<b>Seal Chamber</b>	AISI 316 SS
<b>Fill Fluid</b>	Food Grade Oil

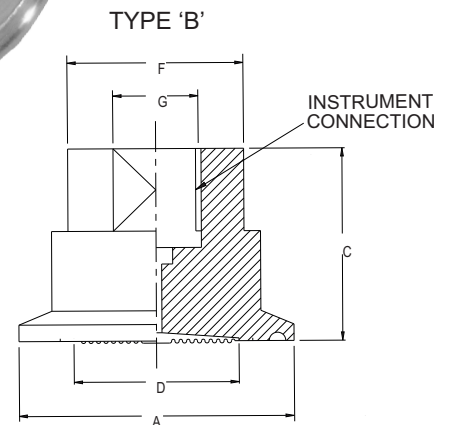


## Dimensions:

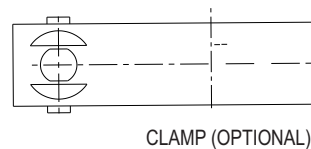


Size	A	C	D	F	G
1.5"	50.5	48	32	19.50	1/4" BSP (F)
2"	64	48	40	19.50	1/4" BSP (F)
2.5"	77.5	48	52	19.50	1/4" BSP (F)

Note : For NS 50 & 63mm



SEALING RING (OPTIONAL)



Size	A	C	D	F	G
1"	50.50	35	22	29.5	1/2" BSP (F)
1 1/2"	50.50	35	32	38.5	1/2" BSP (F)
2"	64	35	40	51.5	1/2" BSP (F)
2 1/2"	77.5	35	52	64	1/2" BSP (F)

For NS 100 & 150mm

## How to Order

★ OPTIONS: DSTC

FOR NON STANDARD PRODUCTS/OPTIONAL ITEMS, PLEASE CONTACT FACTORY FOR DELIVERY AND MINIMUM QUANTITY OF ORDER

★ TYPE: B2 TYPE A B3 TYPE B B2

★ INSTRUMENT CONNECTION: 15B

15B ½" BSP(F) 06B 1/4" BSP(F) 06N 1/4" NPT (F)  
 15N ½" NPT (F) 10N 3/8" NPT(F) 10B 3/8 BSP (F)

★ DIAPHRAGM: S6L AISI 316L SS S6L

★ PROCESS CONNECTION: 40TC

25TC 1" SANITARY SEAL IN AISI 316 SS  
 40TC 1 ½" SANITARY SEAL IN AISI 316 SS  
 50TC 2" CLAMP AISI 304 SS  
 65TC 2 ½" CLAMP AISI 304 SS

★ PROTECTION ON WETTED PARTS: VV

VS PTFE LINING ON BOTTOM CHAMBER- 2mm THICK  
 VZ PTFE COATING ON DIAPHRAGM  
 VV PTFE PROTECTION FOR DIAPHRAGM

★ TYPE: A0 WITHOUT CAPILLARY A1 WITH CAPILLARY

CAPILLARY COVERED WITH ARMOUR: PF AISI 304 SS PH AISI 316 SS PI PVC PF

CAPILLARY LENGTH(Max up to 6Mtrs.): IN METERS (e.g. 1.5 = 1.5 METERS 2.0 = 2 METERS) 3Mtr.

OTHER OPTIONS: TC DRY SEAL ONLY WITHOUT INSTRUMENT

## FILLING FLUIDS:

US FLUROLUBE 4.2 [-45 TO 175 °C / -49 TO 374° F]  
 UT FLUROLUBE 6.3 [-40 TO 235 °C / -40 TO 455° F]  
 UU FLUROLUBE FS5 [-40 TO 150°C / -40 TO 302°F]  
 UV FLUROLUBE FS5 [-40 TO 150°C / -40 TO 302°F]  
 UX SILICON DC 200-10CS [-40 TO 205°C / -40 TO 401F]  
 UY SILICON DC 704 [0 TO 315 °C / 32 TO 599° F]  
 UZ FLUROLUBE 6.3 [-40 TO 235 °C / -40 TO 455° F]

Ordering Example: DSTC B2 15B - S6L -VV- A0 - PH - 1.5mtr - US