

GAUGE COCK **GC**

Special Features :

- ★ Ptfе Adjustable Packing Installed Below Operating Threads To Prevent Media Contamination Or Lubricant Washout Of Operating Threads
- ★ Spindle For Longer Durable Operation

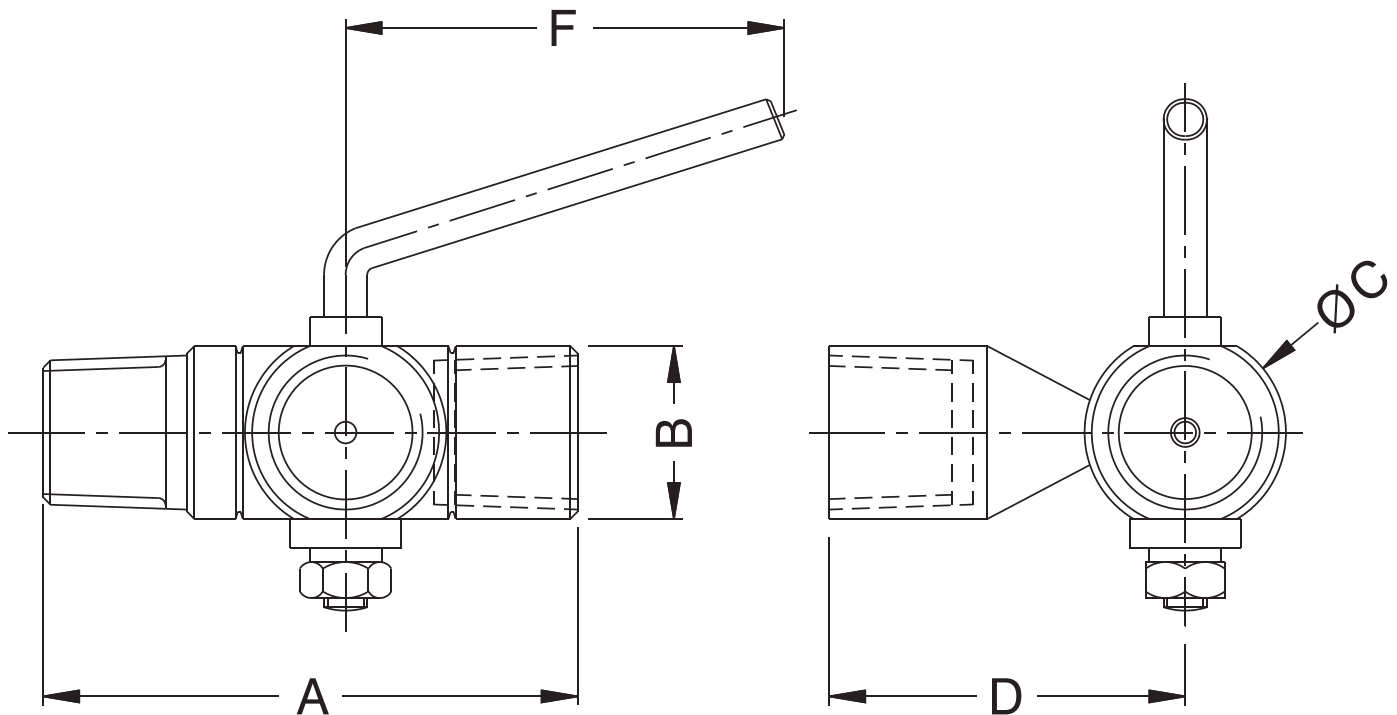


Specifications

Body	AISI 316 SS
Handle	AISI 316 SS
Working Temperature	Up to 180°C
Gasket seal	PTFE
Nominal pressure	100 kg/cm ²

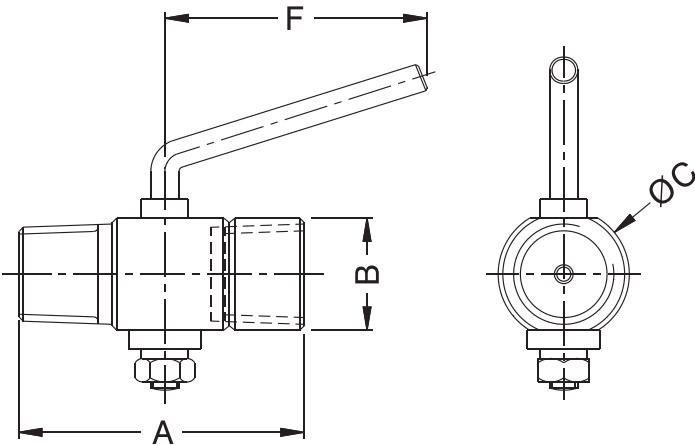
Dimensions:

3 WAY - ROUND BAR



A	B	ØC	D	F	Weight in gram (With Box)
75	24	28	49.5	61	375.3

2 WAY - ROUND BAR



A	B	ØC	F	Weight in gram (With Box)
60	24	28	56	235.0

Notes : • Drawings are not to scale. • All Dimensions are in mm.

All Dimensions are in mm, Drawings are not to scale

HOW TO ORDER

★ BASIC MODEL:

GC

★ TYPE:

KS

KS 2 WAY - ROUND BAR

KU

3 WAY - ROUND BAR

★ BODY:

TM

TN CARBON STEEL

TK AISI 304 SS

TM

AISI 316 SS

★ SIZE & END CONNECTION [INLET x OUTLET]:

NK

NF 1/4" (F x F)

NG 1/4" (M x F)

NH 1/4" (M x M)

NI 3/8" (F x F)

NJ 3/8" (M x F)

NK 3/8" (M x M)

NL 1/2" (F x F)

NM 1/2" (M x F)

NN 1/2" (M x M)

EXAMPLE : NM : 1/2" (MxF) MEANS 1/2" (MxFxF)

IN CASE OF 3 WAY GAUGE COCK, ONE CONNECTION WILL BE MALE & ANOTHER TWO WILL BE FEMALE

★ THREAD TYPE:

GU

GU BSP

GV NPT

★ OTHER OPTIONS:

GH

GH MATERIAL TEST CERTIFICATE

GI ST CERTIFICATE
V

Ordering Example: GC - KS - TM -NK - GU - GH