

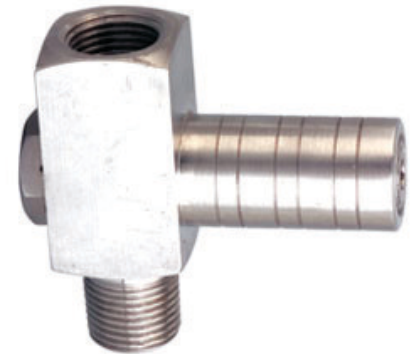
GAUGE SAVER **GS**

Features: :

These are designed to protect pressure Instruments from over pressure exceeding The specified pressure range by sudden & Excessive pressure fluctuation from surge Or spike. This device blocks the higher Pressure exceeding the allowed value, until It comes back to normal, when system Pressure becomes normal. Hence this device Safeguards the pressure instrument gauges, Switches or transmitters by blocking extra High pressure.

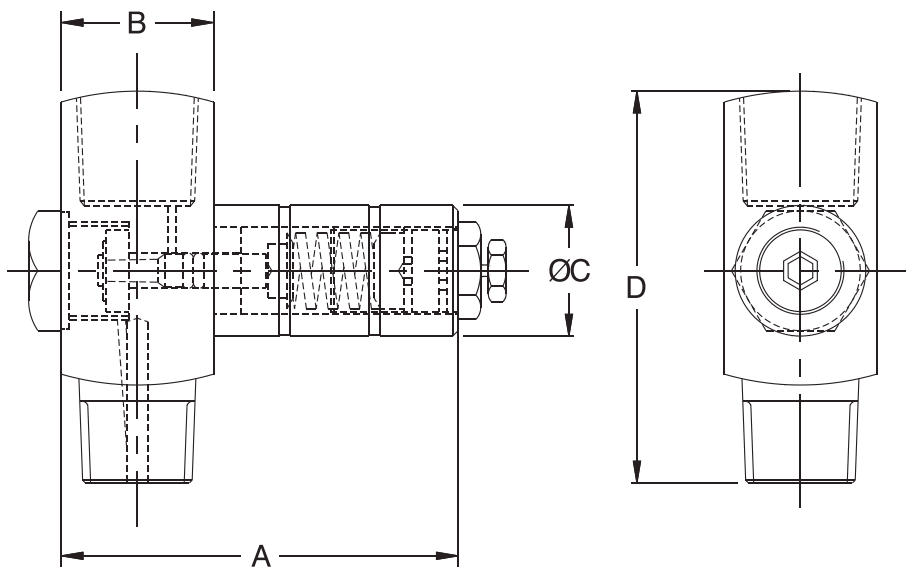
Specifications

Setting Range	1.0 to 400 bar
Reset Value	-30% of set value
O' Ring	Viton
Maximum Working pressure	500 bar
Operating Temperature	-20°C to 200°C
Material of construction	AISI 316SS



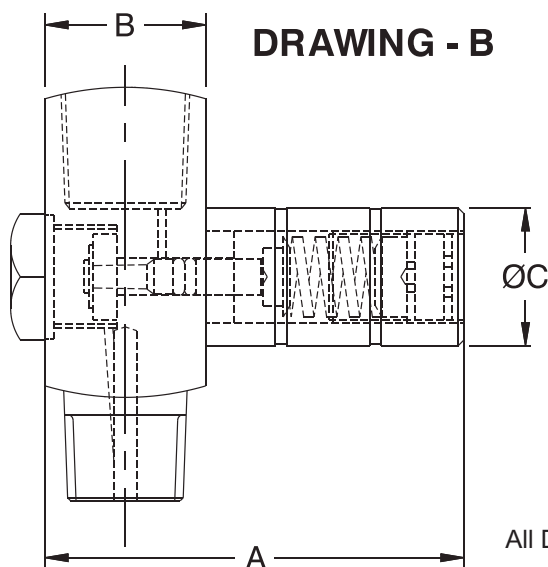
Dimensions:

DRAWING - A

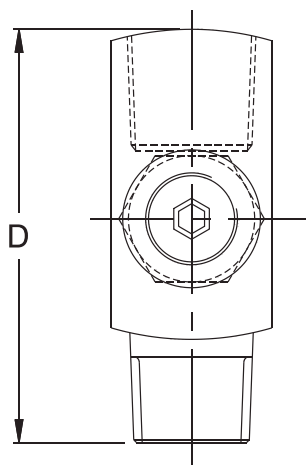


A	B	CC	D	Weight in gram (With Box)
63	28 SQ.	24	72	510.0

All Dimensions are in mm, Drawings are not to scale



DRAWING - B



All Dimensions are in mm, Drawings are not to scale

A	B	ØC	D	Weight in gram (With Box)
73	28 SQ.	24	74	470.0

Notes : • Drawings are not to scale. • All Dimensions are in mm. • NS = Nominal Size.

★ **BASIC MODEL:**

GS

FOR NON STANDARD PRODUCTS/OPTIONAL ITEMS, PLEASE CONTACT FACTORY FOR DELIVERY AND MINIMUM QUANTITY OF ORDER.

★ **PROCESS CONNECTION:**

06B

06B	1/4" BSP (M x F)	06N	1/4" NPT (M x F)	10B	3/8" BSP (M x F)
10N	3/8" NPT (M x F)	15B	1/2" BSP (M x F)	15N	1/2" NPT (M x F)

★ **RANGE SETTING:**

RANGE (bar)	DRAWING NO	RANGE (bar)	DRAWING NO
1	A	100/150	B
1.6	A	150/200	B
2.5	B	200/250	B
4	B	250/300	B
6/10	B	300/350	B
10/16	B	350/400	B
20/40	B		
60/100	B		

Note : Specify range or range of setting

★ **OTHER OPTIONS:**

TI

TI	Monel Wetted Parts	GI	Oxygen Service
----	--------------------	----	----------------

★ **Ordering Example:** GS - 06B - 150/200 - TI