

PULSATION DAMPENER / SNUBBER **SN**

Features: :

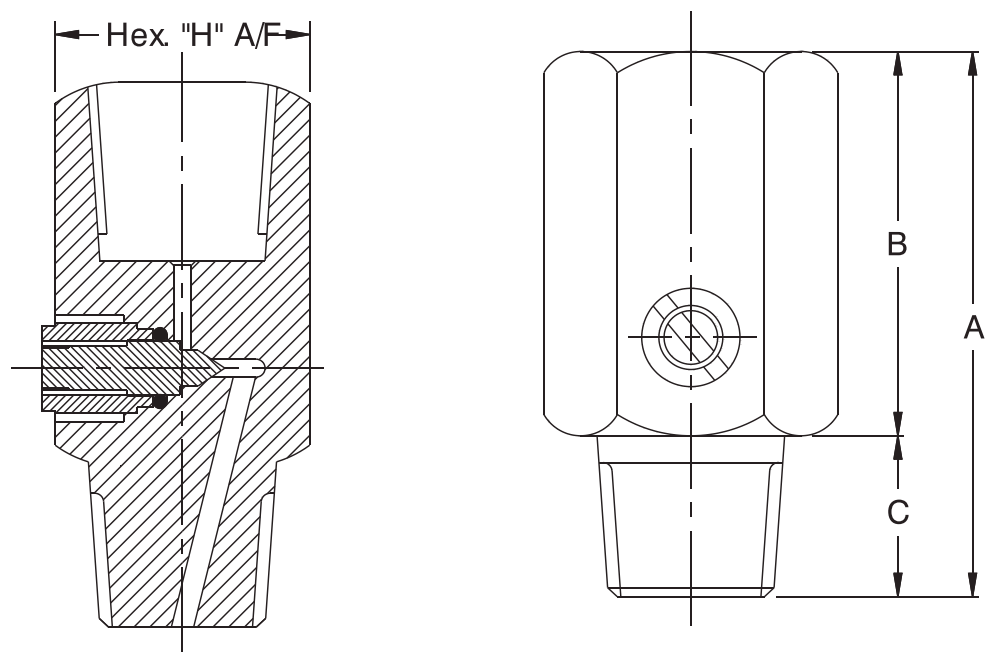
These are designed to protect pressure instruments from sudden Pressure changes and fluctuation of pressurising fluid. Sudden Pressure changes are dampened before they reach the pressure Sensing element to minimise stress on it and giving it longer life. These find applications in hydraulic machines, compressors, Process plants etc.

Specifications

- Working Pressure** Upto 400 kg/cm²
- Working Temperature** -20°C to 200°C
- Material** AISI 316 SS



Dimensions:



Connections	A	B	ØC	Hex. "H" A/F
1/4" (MxF)	63	50	13	17.0
3/8" (MxF)	63	47	16	28.0
1/2" (MxF)	63	43	20	28.0

HOW TO ORDER

BASIC MODEL:

FOR NON STANDARD PRODUCTS/OPTIONAL ITEMS, PLEASE CONTACT FACTORY FOR DELIVERY AND MINIMUM QUANTITY OF ORDER

MATERIAL OF CONSTRUCTION:

SN

BR BRASS S6 AISI 316 SS S6L AISI 316L SS ML MONEL

CONNECTION:

06B

06B	1/4" BSP (M x F)	06N	1/4" NPT (M x F)	10B	3/8" BSP (M x F)
10N	3/8" NPT (M x F)	15B	1/2" BSP (M x F)	15N	1/2" NPT (M x F)

OPTIONS:

SG

SG OXYGEN SERVICE

In case of wetted parts of Brass, max. pressure shall be 250 kg/cm

Ordering Example: SN - S6- 06B - SG