

TEMPERATURE GAUGE BIMETALLIC TYPE

TB

The Bimetal thermometer employs a bimetal strip in the form of helix (it works on the principle of thermal expansion - two metals having different coefficient of expansions are joined to form a bimetal. The resultant expansion of bimetal is proportional to temperature). Bimetal dial thermometers are simple in construction, yet rugged. They are used for measurement of temperature in most of the industrial applications. They are offered in the range of (-) 50°C to 400°C. With rigid stem having bottom or back entry. It can also be offered in every angle rotatable construction.

Applications :

Food & beverage, pharmaceutical, cryogenics, chemical & petrochemical industries, conventional & nuclear power Plants, pumps, hydro-cleaning machines, presses, engine Compressors, turbines, diesel engines & refrigerating plants.

Special Features :

- ★ Stainless steel case & stem
- ★ Bottom / Back / Every Angle Entry
- ★ Standard Followed: EN 13190



Specifications

Standard Version	63mm, 100mm, 150mm
Accuracy	Class 1 as per EN 13190
Ambient temperature	- 25 o C to + 65 o C
Process pressure	15 kg/cm 2 (Without Thermowell)
Over Range Limit	115% of the Scale Value or 650 o C, whichever is minimum
Stem Diameter	6mm / 8mm / 10mm / 12mm
Stem Length	Refer Scale Table
Case	AISI 304 SS
Ring	AISI 304 SS, Bayonet Lock
Stem	AISI 316 SS
Connecion	AISI 316 SS
Sensing Element	Bi-metal strip coiled
Joints	Tig Argon Arc Welding
Protection	IP 65
Dial	Aluminium, black graduation on white background
Pointer	Aluminium, black coloured fixed pointer
Window	Sheet Glass
Gasket	Neoprene

RANGE TABLE:

Note : DELTA offers National / International Scales like ° C, ° F, ° K. Dual scales in ° C and ° F scales can be provided on request. Following are the example ranges in ° C

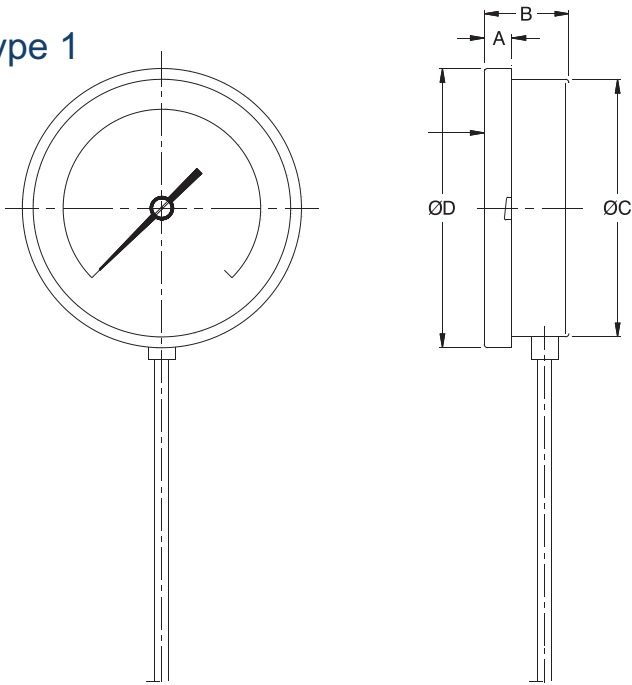
RANGE	RANGE	RANGE	RANGE
0/50	0/100	0/200	0/300
0/60	0/120	0/250	0/400
0/80	0/150		

COMPOUND RANGE SINGLE SCALE IN °C

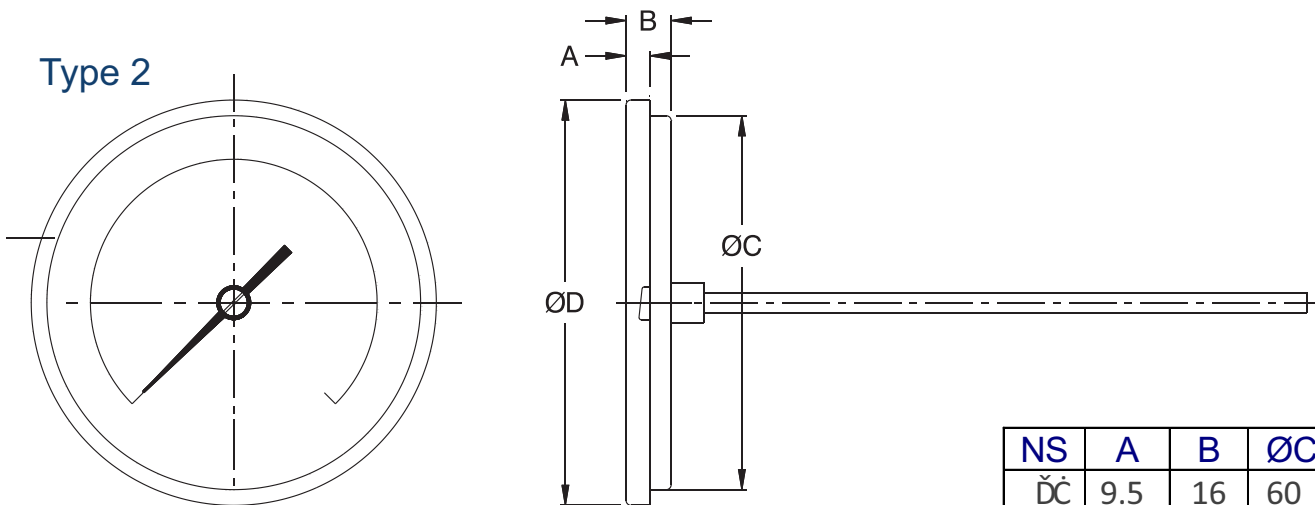
RANGE	RANGE	RANGE	RANGE	RANGE
-30/50	-20/100	-30/120	-30/220	-50/100
-20/60	-20/180	-30/170	-50/50	-50/150
-20/80	-30/70			

Dimensions - Standard Version

Type 1



Type 2

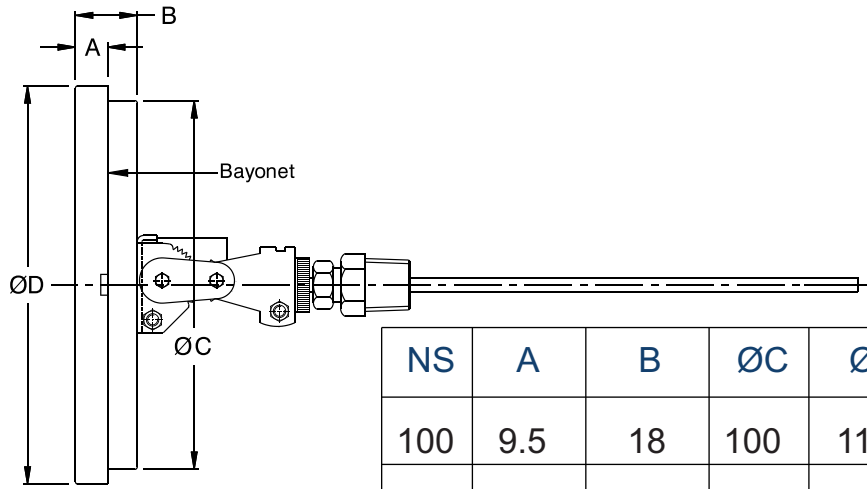
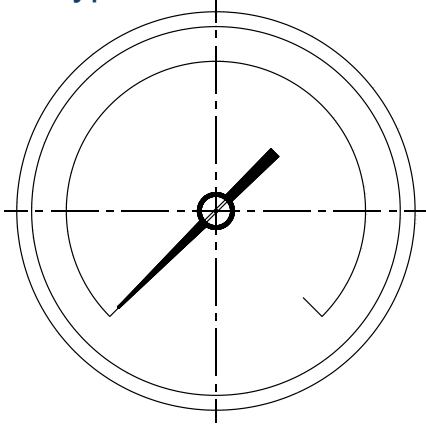


NS	A	B	ØC	ØD
ĐC	9.5	16	60	77.5
100	9.5	18	100	110
150	15	25.5	149	161

All Dimensions are in mm, Drawings are not to scale

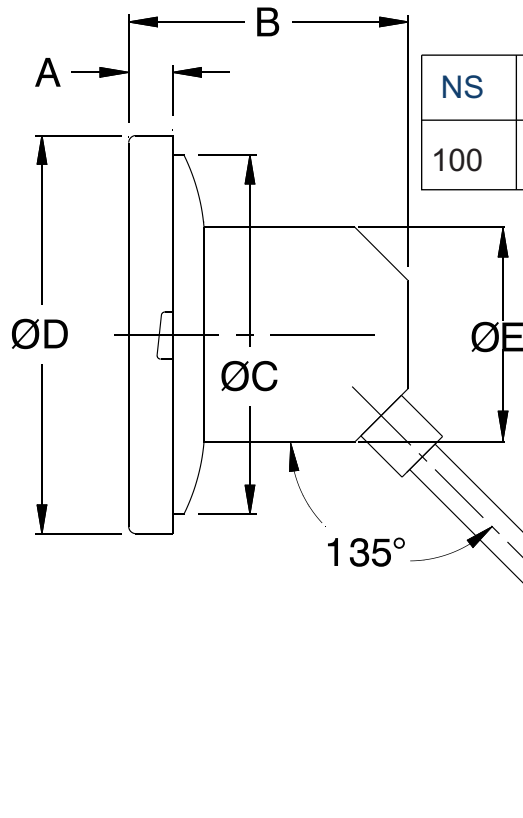
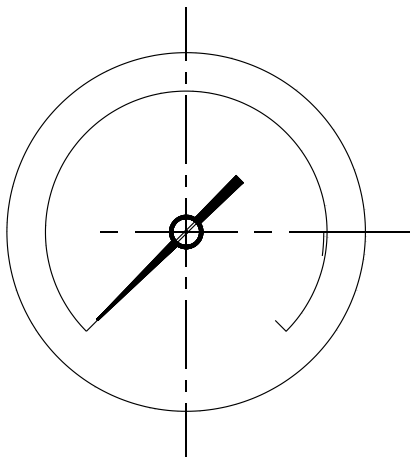
BIMETALLIC TYPE TEMPERATURE GAUGE

Type 3



NS	A	B	ØC	ØD
100	9.5	18	100	110
150	15	25.5	149	161

Type 4



NS	A	B	ØC	ØD	ØE
100	12	78	100	111	60

All Dimensions are in mm, Drawings are not to scale

TEMPERATURE GAUGE BIMETALLIC TYPE

TB

HOW TO ORDER

Basic Model:

TB

CODE	B	C	D
Nominal Size(mm)	63	100	150

C

Type Of Mounting:

1

1. Direct Bottom Entry
 2. Direct Centre Back Entry
 3. Every Angle Back Entry (Except Ns 63mm)
 4. Back Entry with Mounting Bracket
- (Other types of mounting can be provided on request.)

Process Connection:

10N

03B	1/8" BSP (M)	06BT	1/4" BSPT (M)	15N	1/2" NPT (M) STANDARD	M16	M 16 X 1.5 (M)
03N	1/8" NPT (M)	10B	3/8" BSP (M) STANDARD	15B	1/2" BSP (M) STANDARD	M20	M 20 X 1.5 (M)
06B	1/4" BSP (M)	10BT	3/8" BSPT (M)	15BT	1/2" BSPT (M)		
06N	1/4" NPT (M)	10N	3/8" NPT (M)	M12	M 12 X 1 (M)		

Connection Type:

AC

FC Fixed Connection

AC Adjustable Connection

Stem Diameter:

6mm

6mm	6mm Diameter	10mm	10mm Diameter
8mm	8mm Diameter	12mm	12mm Diameter

Total Stem Length (Below Case):

L300

L Indicate Immersion Length in mm

Range:

0 - 100°C

Refer Range Table

Options:

GT

SC	AISI 316 SS Case & Ring	DD	Custom Designed Dial
GP	Plexi Glass	DT	Dial Tag Marking
GS	Shatterproof / Safety Glass	ST	SS Tag Plate
GT	Toughened Glass	FP	Five Point Factory Calibration Certificate
		TC	Triclover connection

Ordering Example : TB-C1-10N-AC-6mm-L300-0/100C-GT