

FLANGED TAPERED TYPE **TWFT**

Application

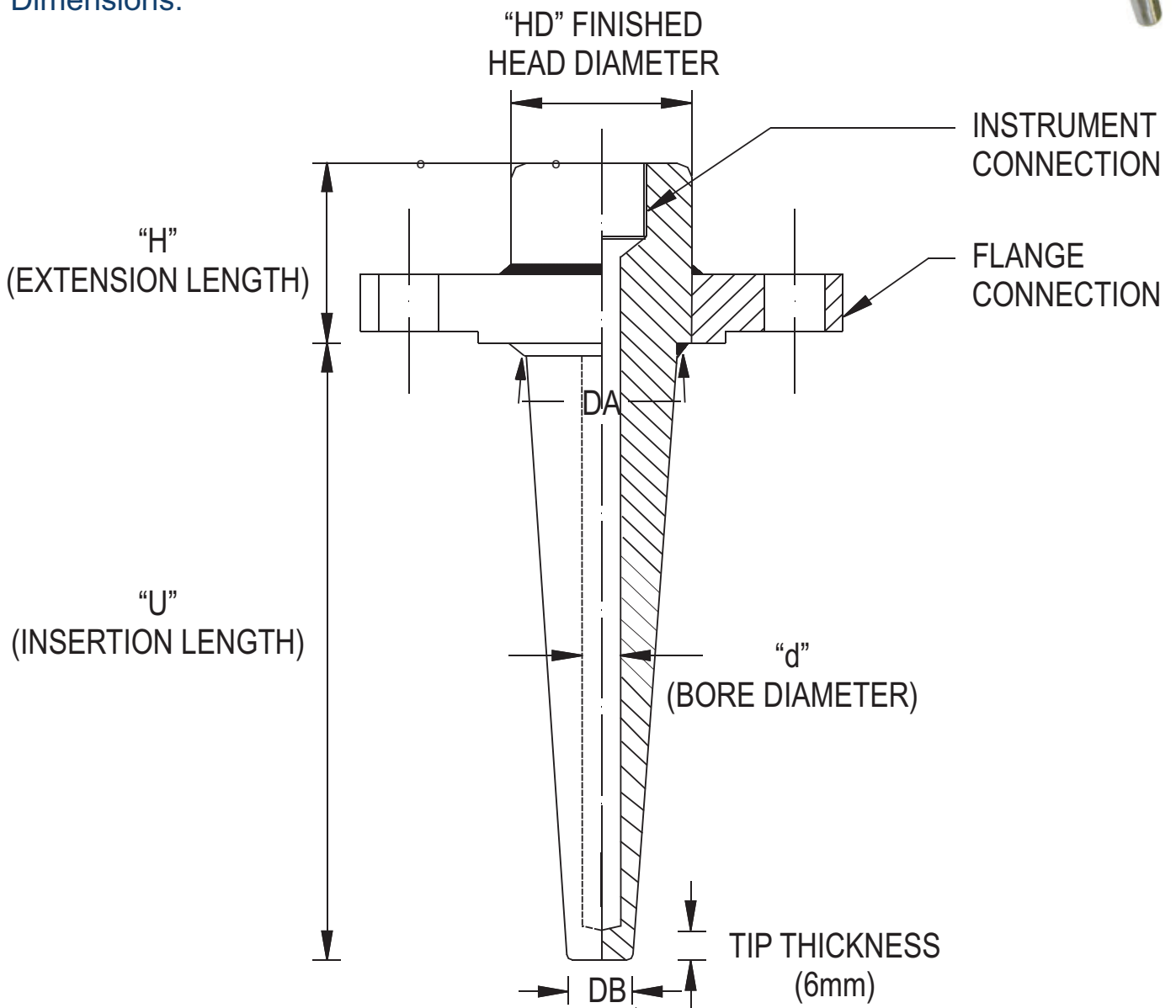
Thermowells are used as accessories with temperature instruments and temperature sensors to protect its basic sensing element from corrosive and mechanical damages due to process parameters.

Special Features:

- ★ Fabricated from Barstock
- ★ Standard Followed PTC 19.3
- ★ Available in Exotic Materials



Dimensions:



All Dimensions are in mm, Drawings are not to scale

HOW TO ORDER

Basic Model:

TWFT

CS	Carbon Steel	IN	Inconel 600	TT	Tantalum	S6L	AISI 316LSS	S6
S4	AISI 304SS	HC	Hastalloy 'C'	A2	Alloy 20	Ss4	AISI 446SS	
S6	AISI 316SS	TM	Titanium	In8	Incoly 800HT	ML	Monel 400	

(Other types of materials can be provided on request.)

Instrument Connection:

10N

1B	1/8" BSP (F)	6T	1/4" BSPT (F)	15N	1/2" NPT (F)	M16	M 16 X 1.5 (F)
1N	1/8" NPT (F)	10B	3/8" BSP (F)	15B	1/2" BSP (F)	M20	M 20 X 1.5 (F)
2B	1/4" BSP (F)	10T	3/8" BSPT (F)	15T	1/2" BSPT (F)		
2N	1/4" NPT (F)	10N	3/8" NPT (F)	M12	M 12 X 1 (F)		

Flange Connection: ANSIB16.5:50NB:150#RF

Flanges as per DIN 2527

Flanges as per BS 10

Note : Please Mention the finish of the flange separately

RF: Raised Face

FF: Flat Face

Flanges as per ANSI B16.5

Flanges as per JIS - B 2210

RT: Ring Type Joint

Bore Diameter:

B6

B Indicate Bore Diameter in mm

Tapering Start At:

d0

d Indicate Distance below flange in mm

Outer Major and Minor Diameter:

ODA20mm-ODB12mm

ODA Indicate Major Diameter in mm ODB Indicate Minor Diameter in mm

Thermowell Insertion Length:

L400

L Indicate Immersion Length in mm

Lagging / Extension Length:

E60

E Indicate Lagging Length in mm

Finished Head Diameter:

HD40

HD Indicate Hex Diameter in mm

HR Indicate Round Diameter in mm

Options:

TPC

TPC Plug and Chain of Stainless Steel

TMC Test Certificate for Material of Construction

TBC Bore Concentricity Test

THT Hydrotest at 100 kg/cm² (From Inside and Outside)

TDP Dye Penetration Test for Weld Joints

TCD Crack Detection Ultrasonic Test

TRT Radiography Test for Thermowells

TWF Wake Frequency Test as per PTC 19.3

TIBR IBR Certification

CTC Teflon Coating

CRL Rubber Lining

CHC Hastelloy C Overlay

CWO Tungsten Carbide Coating

CGL Glass Lining

CTI Titanium Overlay

CCT Ceramic Tubing

Ordering Example : TWFT - A - I - A - D- 3 - UD - 200mm - 02250 - F - G3 - A - 0750 - 0500 - 1A - 1 - T