

UTILITY PRESSURE GAUGE

UP

Applications :

These Gauges are used where fluid medium does not corrode copper alloy for General Purpose Industrial application Waterline, compressors, Hydraulic & Pneumatic

Special Features :

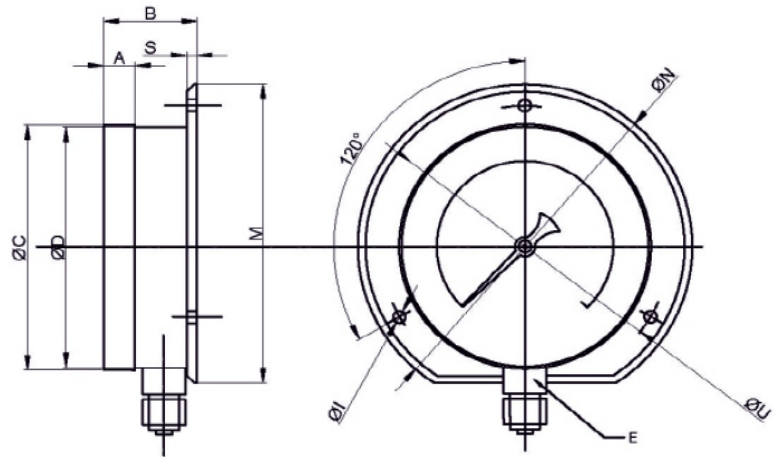
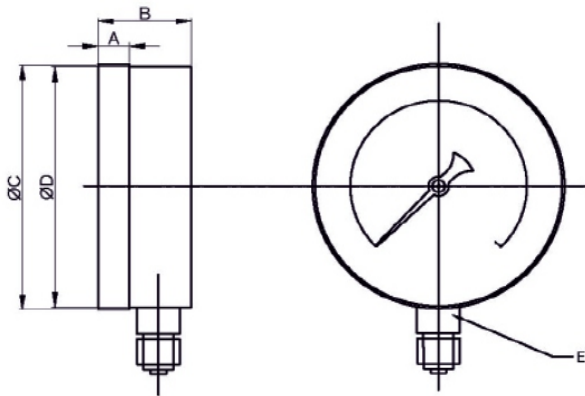
- ★ Economic Version
- ★ General Purpose Application
- ★ Accuracy upto $\pm 1.0\%$



Specifications

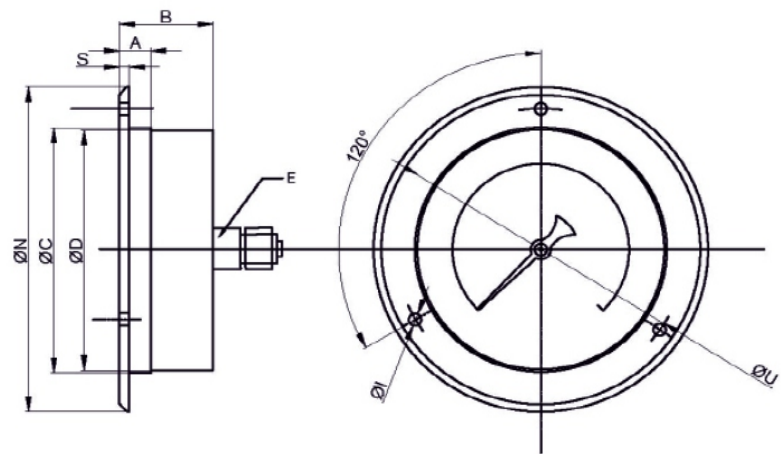
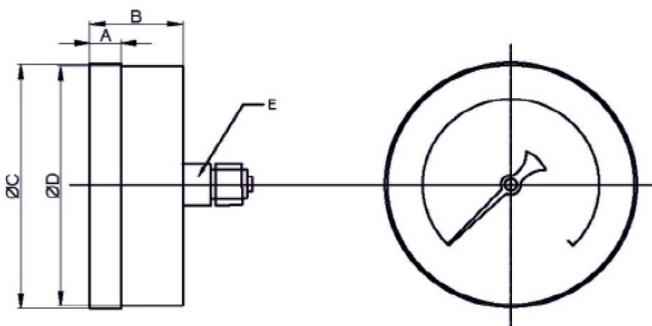
Accuracy	\pm of F.S.2.5% for NS40, 50 \pm 1.6% of F.S. for NS63, \pm of F.S.1% .NS100, 150, & 250
Ambient temperature	-20°C to + 65°C
Process Temperature	Max. 120°C
Operating Pressure	60% of Scale Value
Over Load Protection	<100 Kg/cm ² : 125% of Max. Scale Value
> 100 >. 700Kg/cm²	115% of Max. Scale Value
Scale Range	Vacuum, Compound & Pressure up to 700 kg/cm ²
Dial Size	NS 40, 50, 63, 100, 150, & 250.
Case & Bezel	M.S. black painted / Powder coated , SS 304 - push fit type.
Bourdane Tube	Copper Alloy / SS 316
Movement	Copper Alloy / SS 304
Socket	Brass / SS304/ SS316
Dial	Aluminum white painted with 270 degree black scale marking.
Pointer	Aluminium pointer with black finish, Fixed.
Window	Plain Glass / Acrylic
Joints	Copper Alloy Bourdone Tube & Socket : Soldering SS 316 Bourdone Tube & Copper Alloy Socket : Silver Brazing SS Bourdone Tube & Socket : Argon Arc Welding
Mounting	Direct Bottom Entry, Surface with Bottom Entry, Direct with Back Entry Flush Panel with Back Entry (Three Hole Panel or Bracket type)
Connection	1/8", 1/4" / 3/8" / 1/2" BSP / BSPT, NPT .[Male]

Dimension :



Utility Bottom Direct					
NS	A	B	ØC	ØD	E
50	10.5	30	50	48	14
63	11.5	33	63	61	14
80	12.5	33	80	78	17
100	12.50	35.50	100	98.50	17
150	13.50	37.50	150	148.00	17
250					22

Utility Bottom Surface										
NS	A	B	ØC	ØD	E	ØI	ØN	ØU	S	M
80	12.5	32.5	80	78	17	5	110	96	4	
100	12.50	37	100	98	17	5	132.50	115	4	122
150	14.50	42	150	148	17	5	185.00	174	5	174
250					22					



Utility Back Direct					
NS	A	B	ØC	ØD	E
40	10.50	23	40	38	14
50	10.5	30	50	48	14
63	11.5	33	63	61	14
80	12.50	33	80	78	17
100	12.50	35.50	100	98.50	17
150	13.50	37.50	150	148.00	17

Utility Panel Mounting									
NS	A	B	ØC	ØD	E	ØI	ØN	ØU	S
80	12.5	32.5	80	78	17	5	110	96	4
100	12.50	35.50	100	98.50	17	5	132	115	4
150	13.50	37.50	150	148.00	17	6	188	166	5

All Dimensions are in mm, Drawings are not to scale

RANGE TABLE

Note : Delta Instruments offers National / International Scales like kPa, MPa, bar, PSI, kg/cm² & Dual Scale like kPa with PSI, kPa with bar, bar with PSI or Equivalent scales as per the requirement can be provided on request. Following are the example tables for kg/cm² & PSI scales:

Pressure:

SINGLE SCALE (kg/cm² or bar)

RANGE	RANGE	RANGE	RANGE	RANGE
0/0.6	0/4	0/25	0/160	0/1000
0/1	0/6	0/40	0/250	
0/1.6	0/10	0/60	0/400	
0/2.5	0/16	0/100	0/600	

DUAL SCALE (PSI with kg/cm²) or PSI with bar

RANGE (PSI)	RANGE (kg/cm ²)	RANGE (PSI)	RANGE (kg/cm ²)	RANGE (PSI)	RANGE (kg/cm ²)
0/15	0/1	0/400	0/28	0/4000	0/280
0/30	0/2	0/500	0/35	0/5000	0/350
0/60	0/4	0/600	0/40	0/6000	0/400
0/100	0/7	0/1000	0/70	0/10000	0/700
0/150	0/10	0/1500	0/100	0/15000	0/1000
0/200	0/14	0/2000	0/140		
0/300	0/20	0/3000	0/200		

* Note: For ranges above 1600kg/cm², please consult factory.

Vacuum & Compound:

DUAL SCALE (inHg with PSI & mmHg with kg/cm²)

RANGE (inHg with PSI)	RANGE (mmHg with kg/cm ²)	RANGE (inHg with PSI)	RANGE (mmHg with kg/cm ²)	RANGE (inHg with PSI)	RANGE (mmHg with kg/cm ²)
- 30/0	- 760/0	- 30/60	- 760/4	- 30/200	- 760/14
- 30/15	- 760/1	- 30/100	- 760/7	- 30/300	- 760/21
- 30/30	- 760/2	- 30/150	- 760/10	- 30/350	- 760/24

SINGLE SCALE (kg/cm²)

RANGE	RANGE	RANGE	RANGE
- 1/0	- 1/1.5	- 1/5	- 1/15
- 1/0.6	- 1/3	- 1/9	- 1/24

HOW TO ORDER

Basic Model:

CODE	X	A	B	C	D	E	F
Nominal Size(mm)	40	50	63	100	150	200	250

UP

C

Type Of Mounting:

2

1. Direct Bottom Entry
2. Wall / Surface / Projection Mounting With Bottom Entry
3. Direct Centre Back Entry
4. Flush Panel Back Entry with Front Flange
5. Back Entry with Mounting Bracket

(Other types of mounting can be provided on request.)

Gauge Connection:

10N

03B	1/8" BSP (M)	06BT	1/4" BSPT (M)	15N	1/2" NPT (M) STANDARD	M16	M 16 X 1.5 (M)
03N	1/8" NPT (M)	10B	3/8" BSP (M) STANDARD	15B	1/2" BSP (M) STANDARD	M20	M 20 X 1.5 (M)
06B	1/4" BSP (M)	10BT	3/8" BSPT (M)	15BT	1/2" BSPT (M)		
06N	1/4" NPT (M)	10N	3/8" NPT (M)	M12	M 12 X 1 (M)		

Note : Connections like PT/PF/Flaired /UNF/G/R etc.can be provided on request.
Non standard connections can be provided through adaptors.

Range:

0 - 10
kg/cm²

Refer tables

Options:

RA

S4	AISI 304 SS Movement	GD	Glow In The Dark Design Dial
SB	AISI 316 Bourdon	DD	Custom Designed Dial
SD	Internal dampening Screw	FP	Five Point Factory Calibration Certificate
GP	Plexi Glass		
GS	Shatterproof / Safety Glass		
GT	Toughened Glass		
RF	Freon Range (With Temperature Scale)		
RA	Ammonia Range (With Temperature Scale)		
RO	Oxygen Service (Without Option Dampening Liquid)		

Ordering Example:

UP-C2-10N-0/10kgcm²-RA

Note : Due to continuous improvement, the specification may vary from time to time.

For non standard products/optional items, please contact factory for delivery and minimum quantity of order.